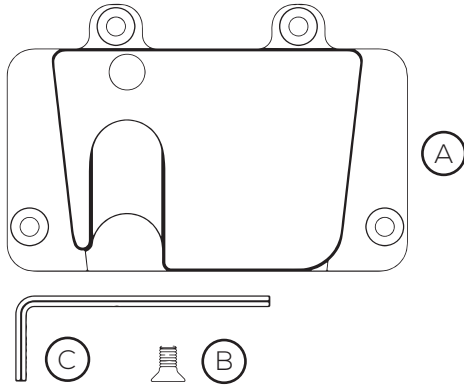


# MOUNTING INSTRUCTION

Name: GA-Zingui 2

Model Number: #16.1206

Instruction ID: #00.5092\_A



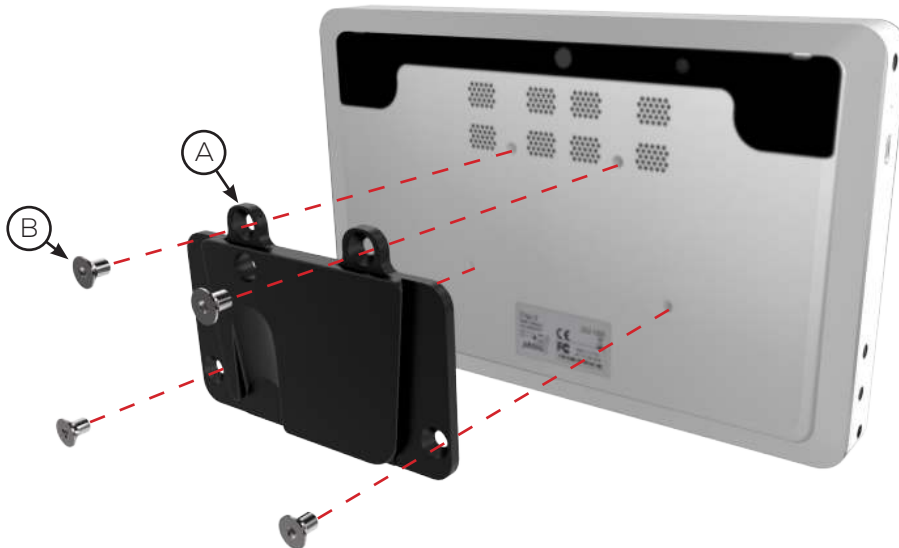
Mounting kit / Montageset

(A) = 1x Zingui 2 Adapter

(B) = 4x Screws/Schrauben M4x8

(C) = 1x Allen wrench/Innensechskant

1



2

