

ASSEMBLY INSTRUCTION

Name: Light 3D

Instruction ID: #00.553_C

Wheelchair:

1 Tube

Page 5



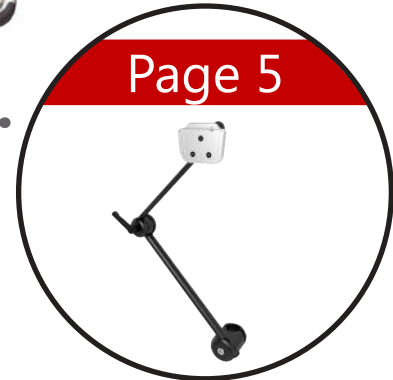
3 Tube

Page 2-4



2 Tube

Page 5



3 Tube

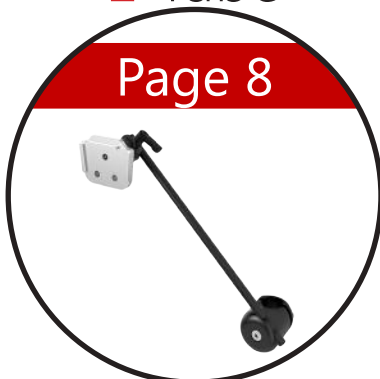
Page 6,7



Table:

1 Tube

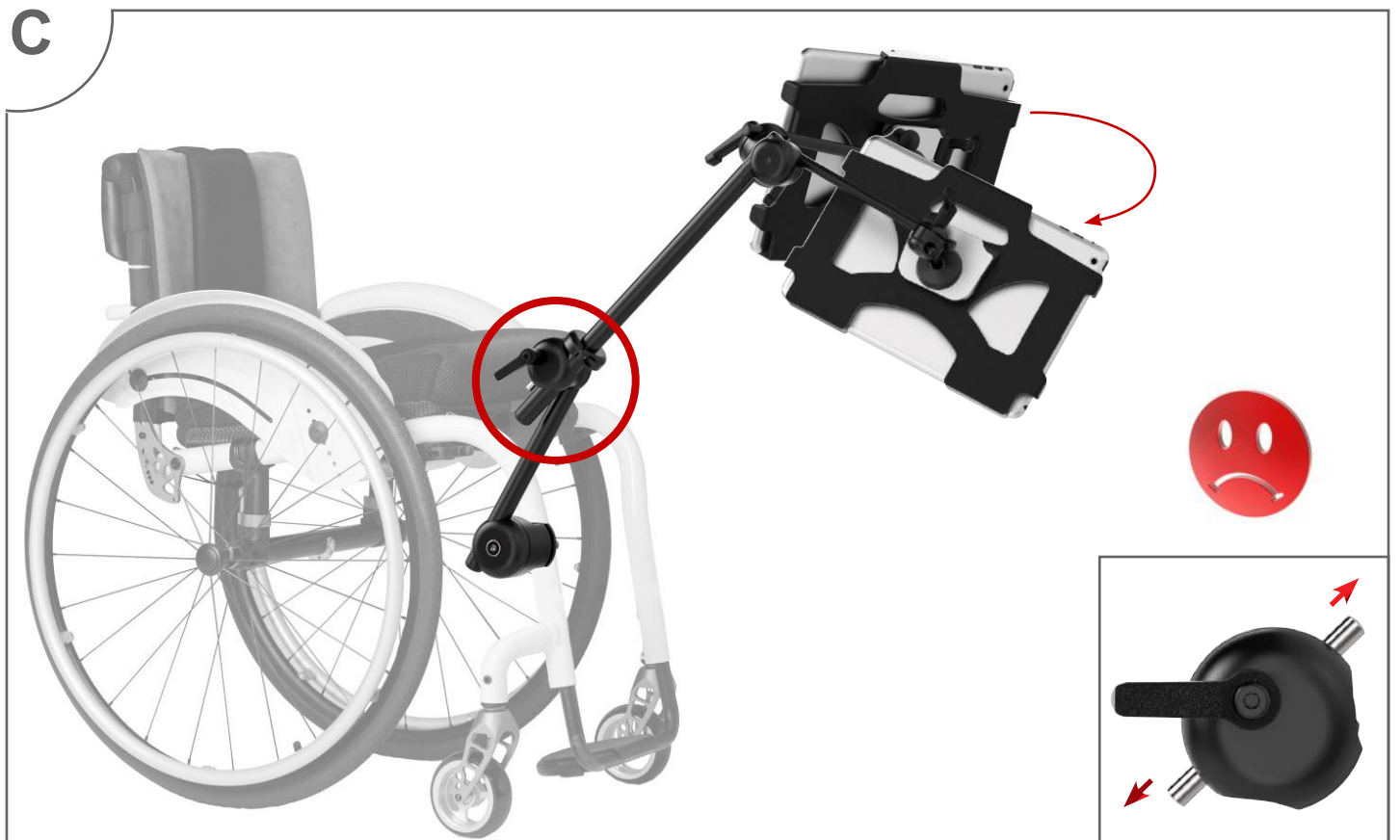
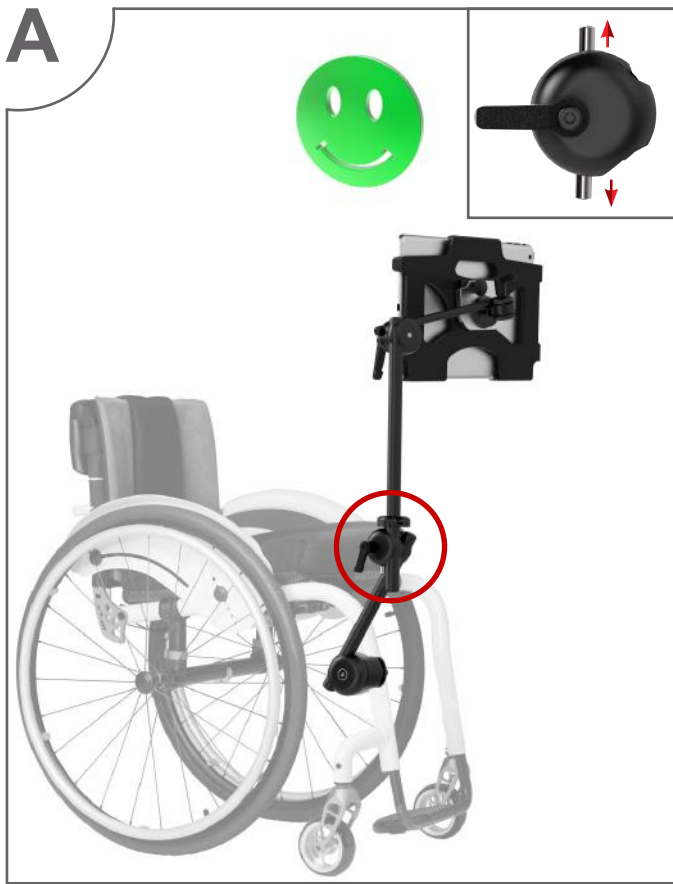
Page 8

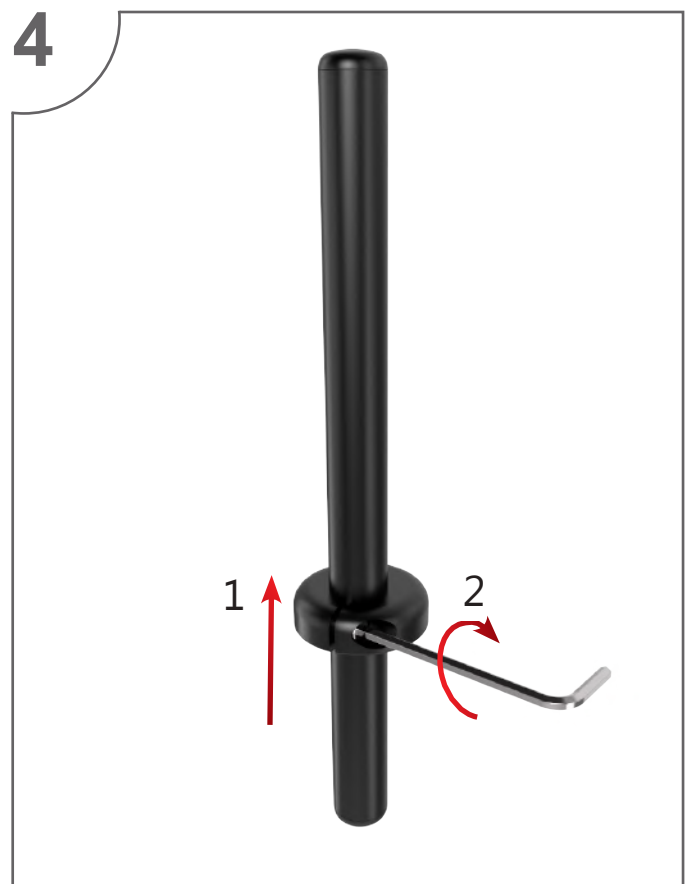
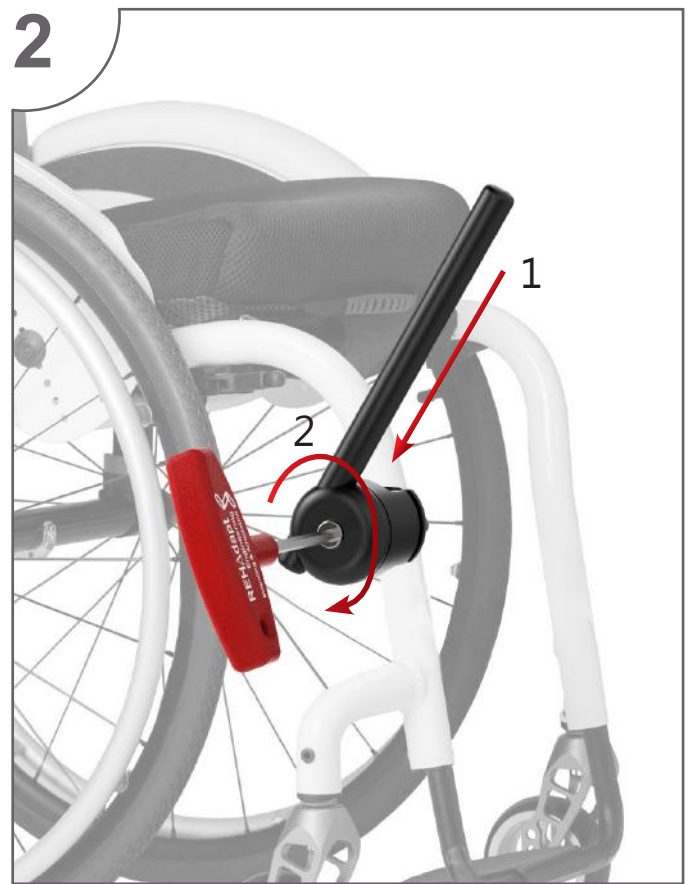
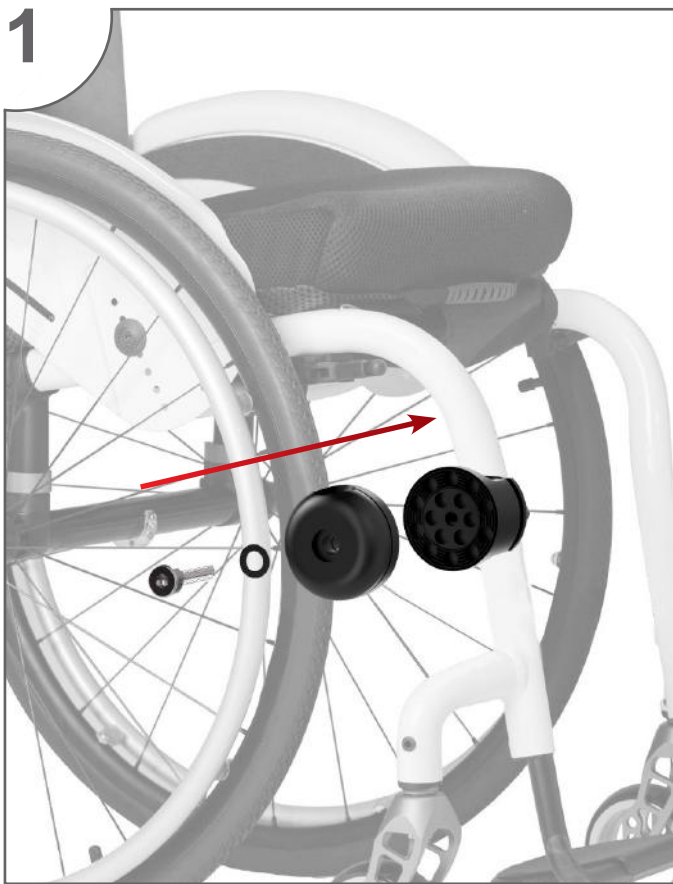


2 Tube

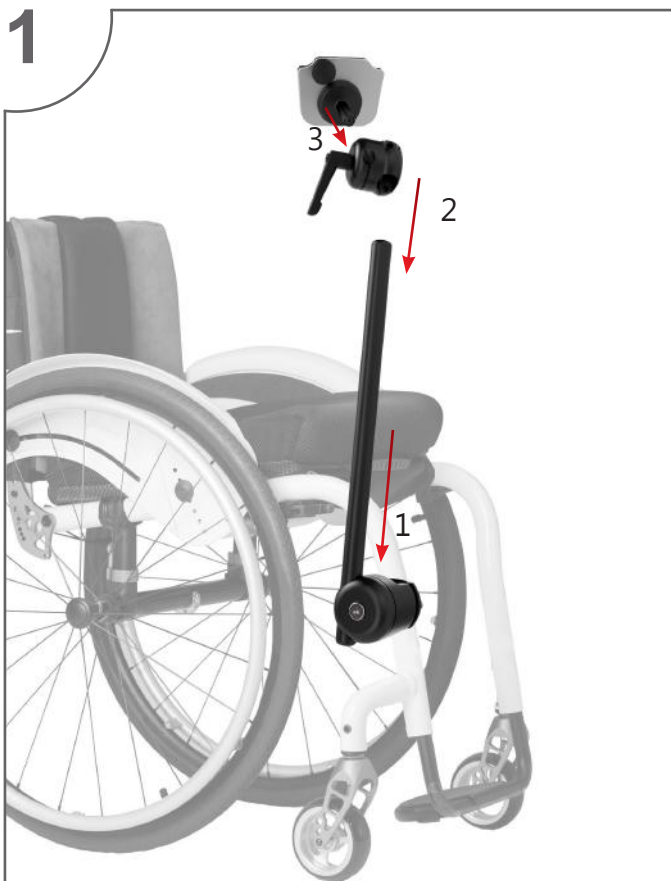
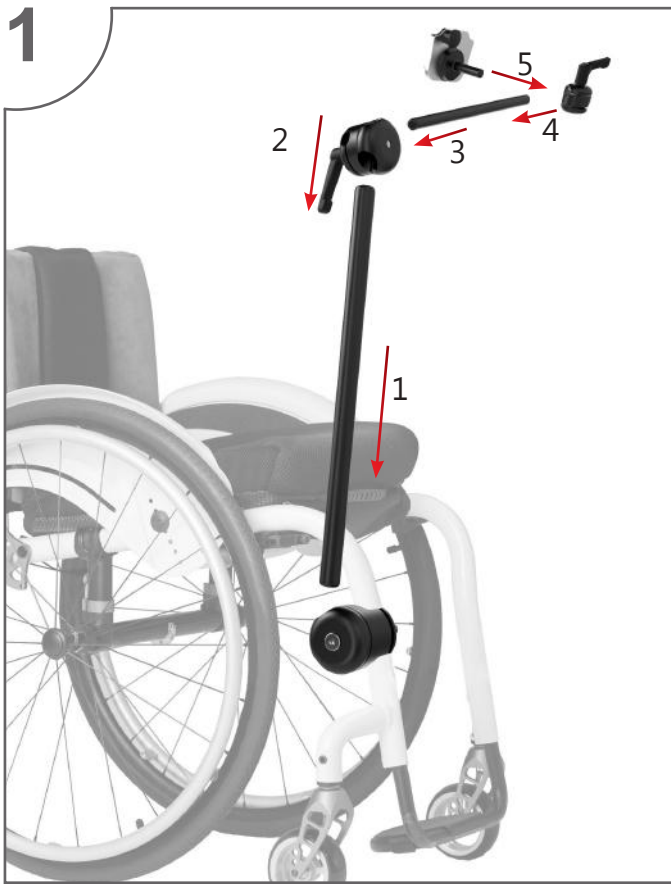
Page 8

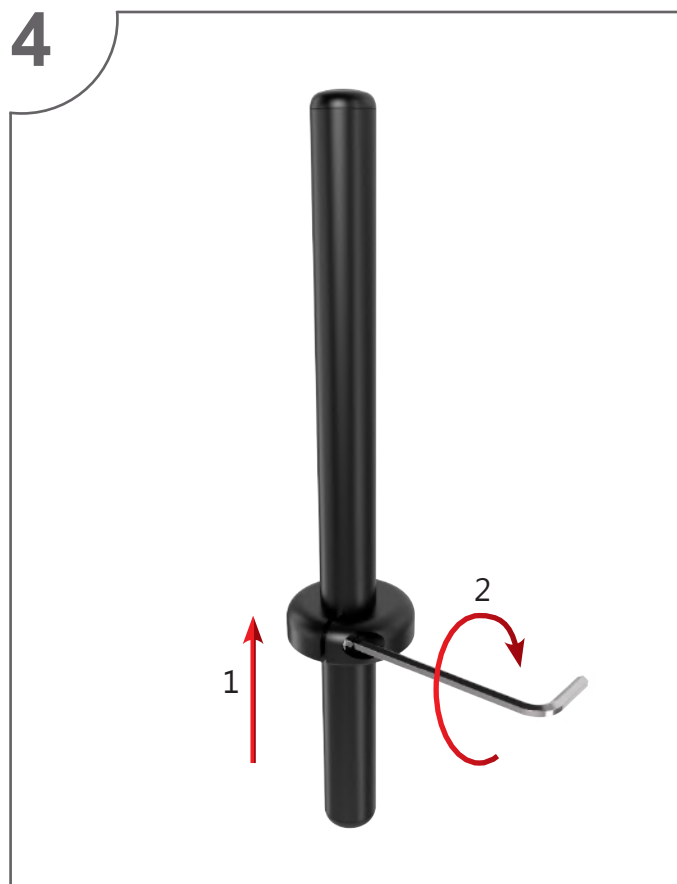
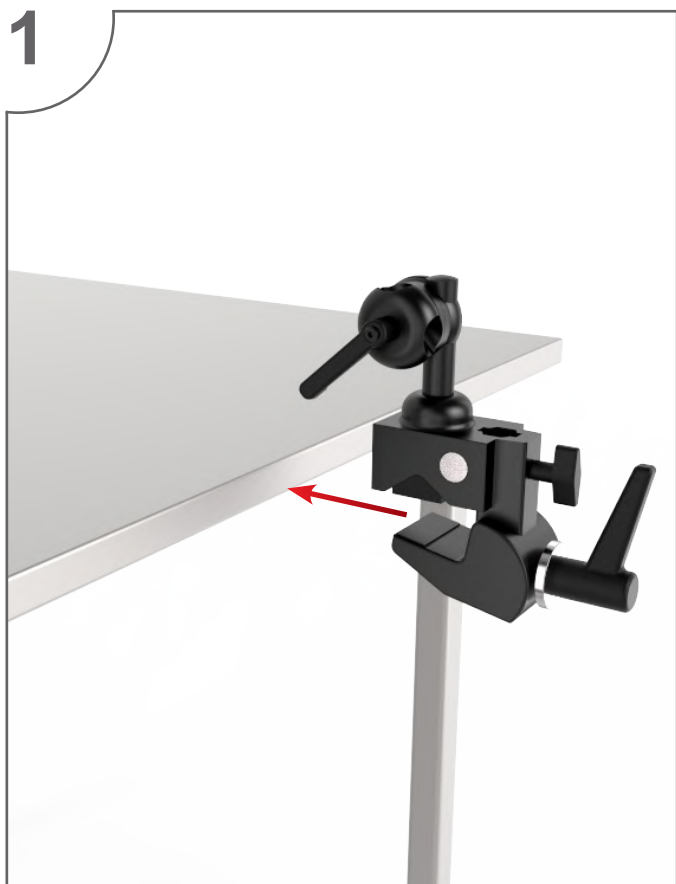


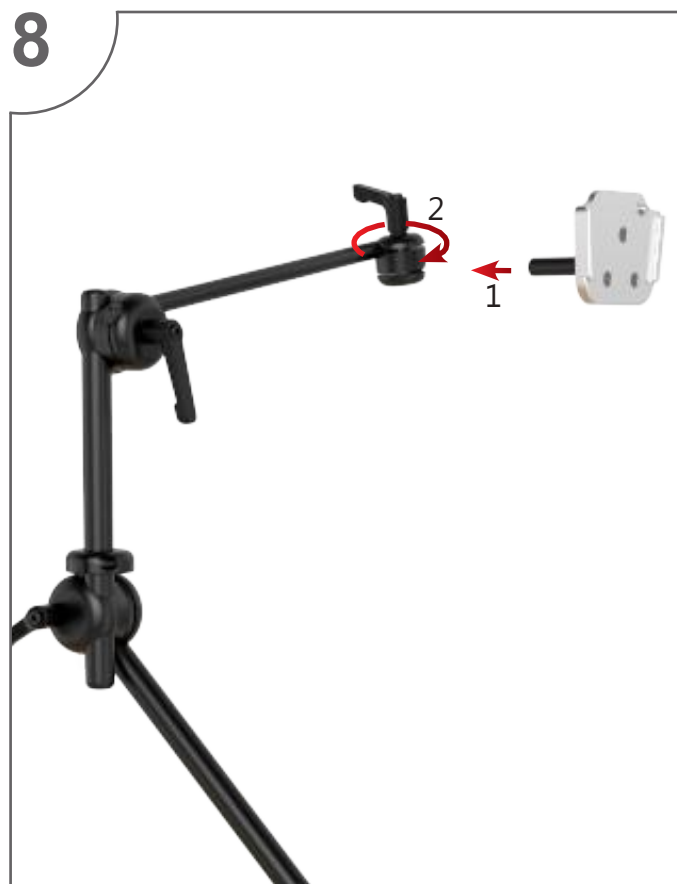


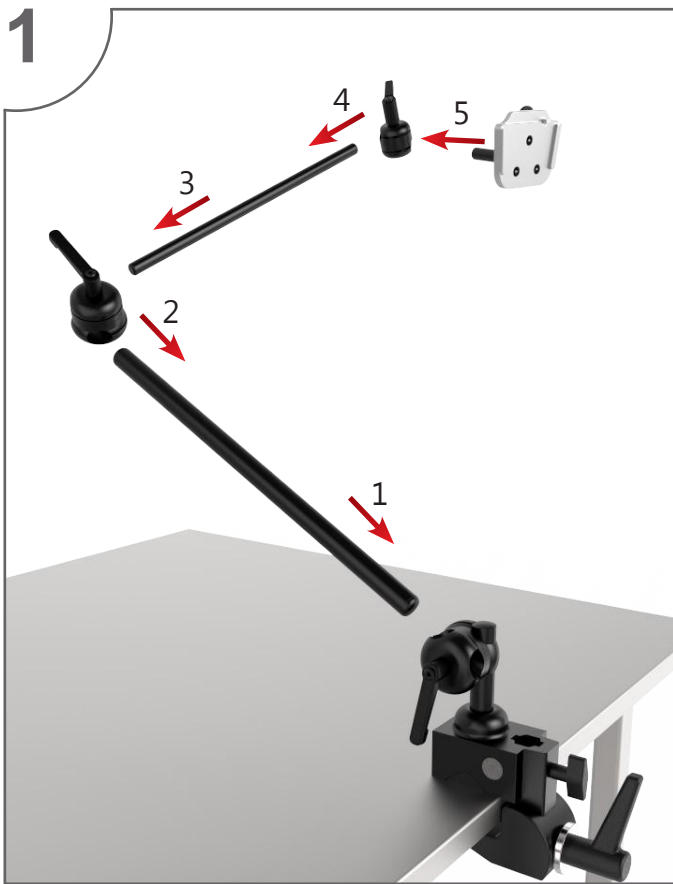




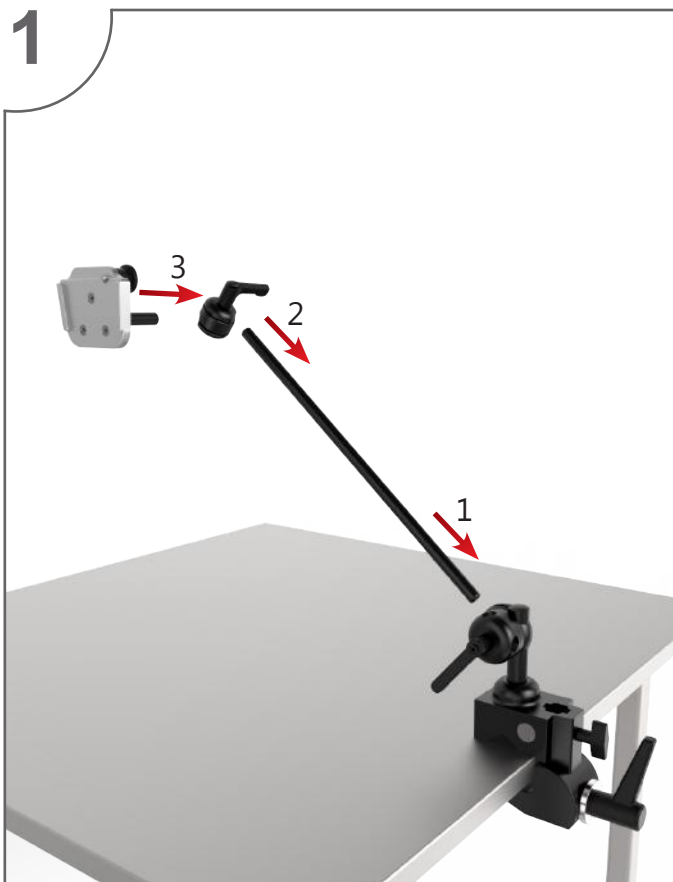








L3D-TC - 2 Tube System



L3D -TC- 1 Tube System