

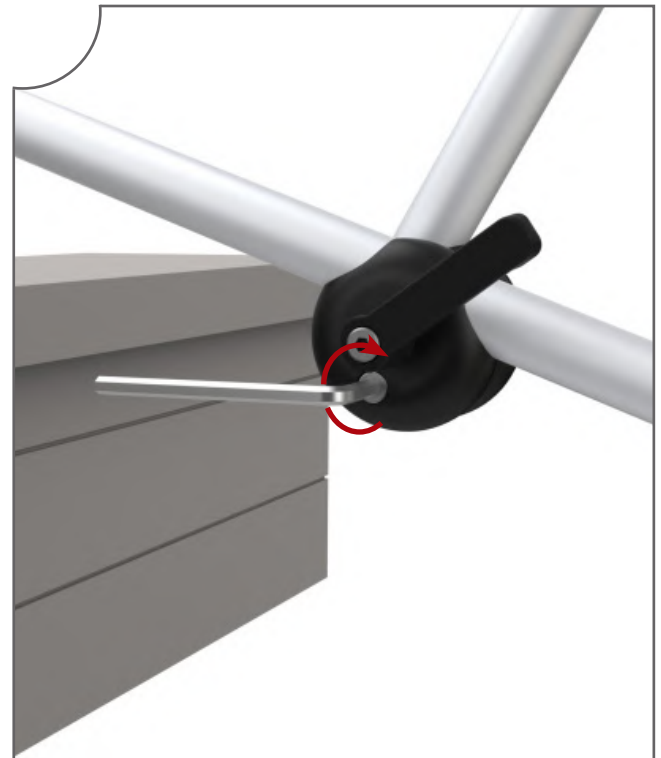
Name: ClampOnMount Dual CC

Model Number: #12.1771

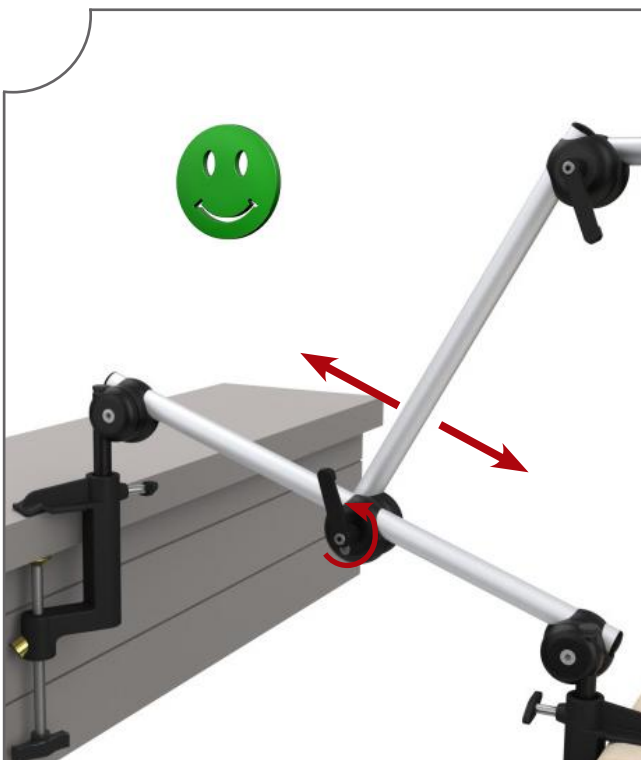
Instruction ID: #00.527\_C



Functional description of locking lever



Tighten screw in order to secure the front part of the tube-coupling



Loosen the lever to adjust vertical tube, it is then possible to move the vertical tube to the left or right.



Tightening the lever, prevents the vertical tube from moving side to side.