

Adapters

14.1638 - L3D GA Buddy/Orby/Piko

00.5265-A 2024-02-02



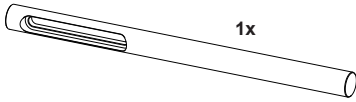
Rehadapt GmbH

Heinrich-Hertz-Str. 104
34123 Kassel, Germany
Tel.: +49 561 220 717 0
Fax: +49 561 220 717 99
officeteam@rehadapt.com
https://rehadapt.com



Rehadapt North America

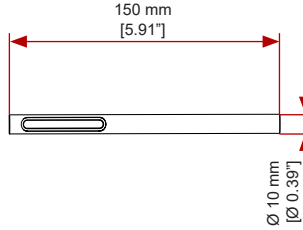
40 Oser Ave, Suite 40-01
Hauppauge, NY 11788
Tel.: 1 (888) 635-6962
Fax: 1 (888) 635-6962
officeteam.na@rehadapt.com
https://rehadapt.com



2x 01.0274
⊖ M4x6



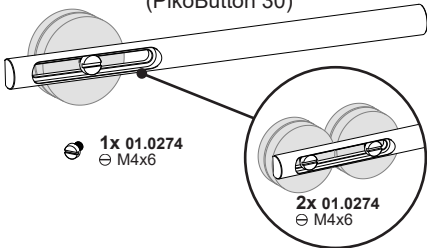
2x 01.0873
⊕ N6-32 UNC x 3/8"



Mounting options / Montagemöglichkeiten

Option 1

(PikoButton 30)

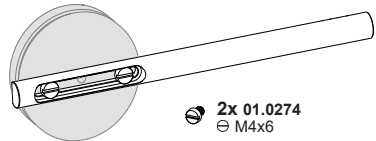


1x 01.0274
⊖ M4x6

2x 01.0274
⊖ M4x6

Option 2

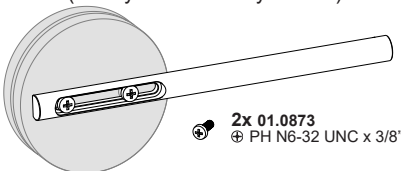
(PikoButton 50)



2x 01.0274
⊖ M4x6

Option 3

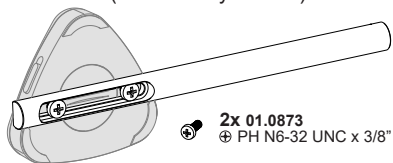
(Buddy Button / Orby Switch)



2x 01.0873
⊕ PH N6-32 UNC x 3/8"

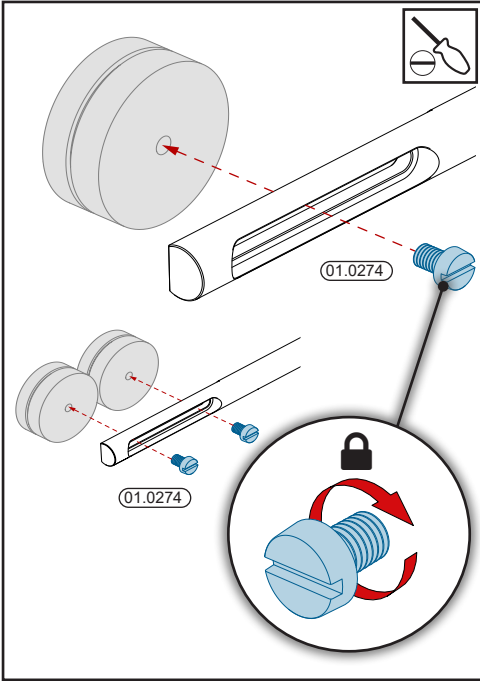
Option 4

(Little Candy Corn 2)

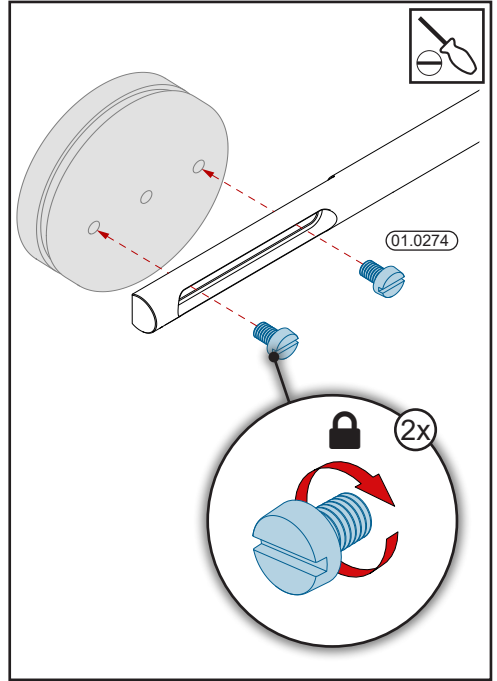


2x 01.0873
⊕ PH N6-32 UNC x 3/8"

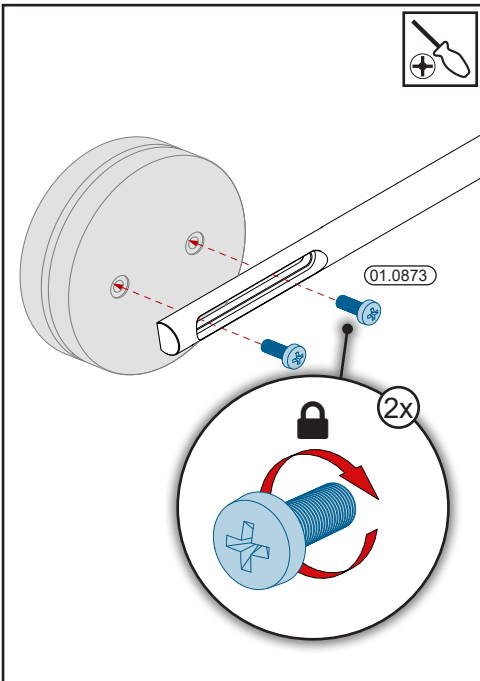
Option 1
(PikoButton 30)



Option 2
(PikoButton 50)



Option 3
(Buddy Button / Orby Switch)



Option 4
(Little Candy Corn 2)

