



Monty 3D

- 11.8016 - M3D CoMoveIT Smart

MADE EASY



Scan me

M3D H3D

00.5260-A 2024-02-01

L3D



Montage
Instructions



Handhabung
Handling

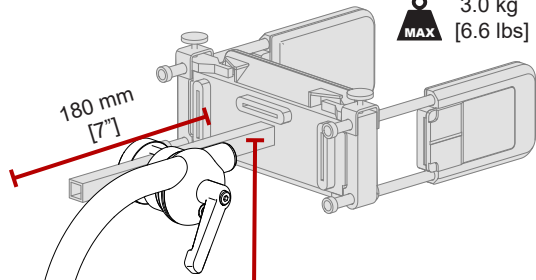


Stückliste
Bill of Materials

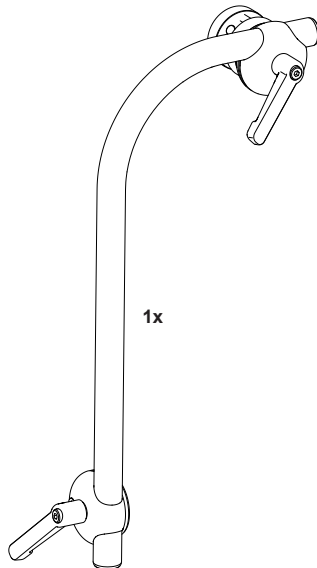
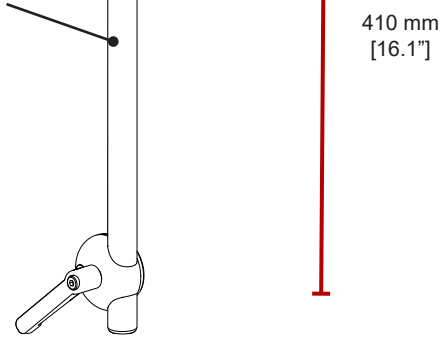




MAX 3.0 kg
[6.6 lbs]



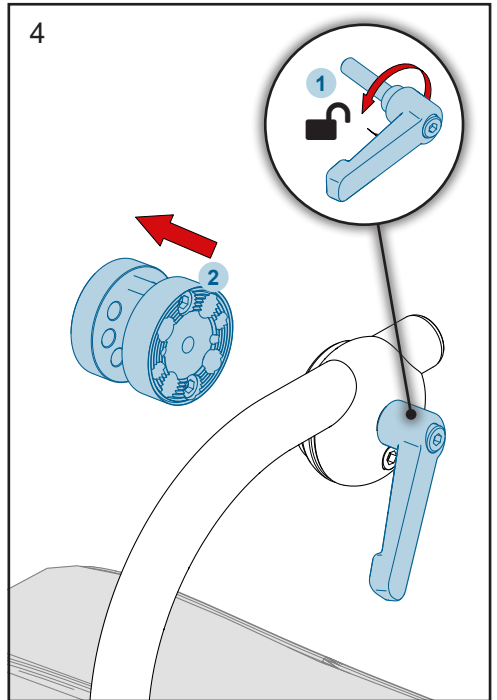
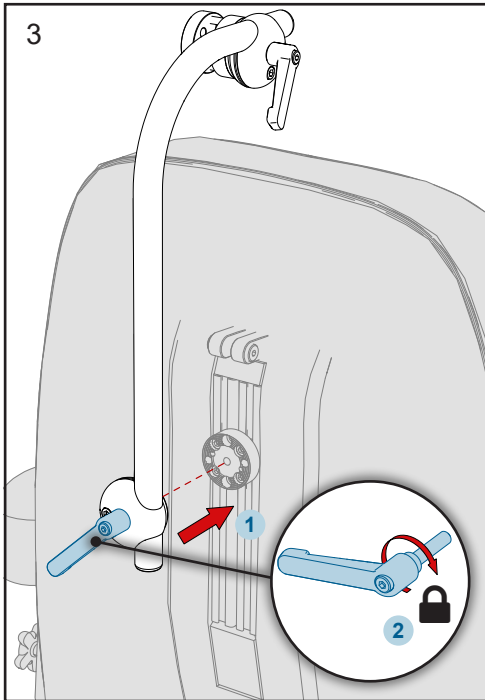
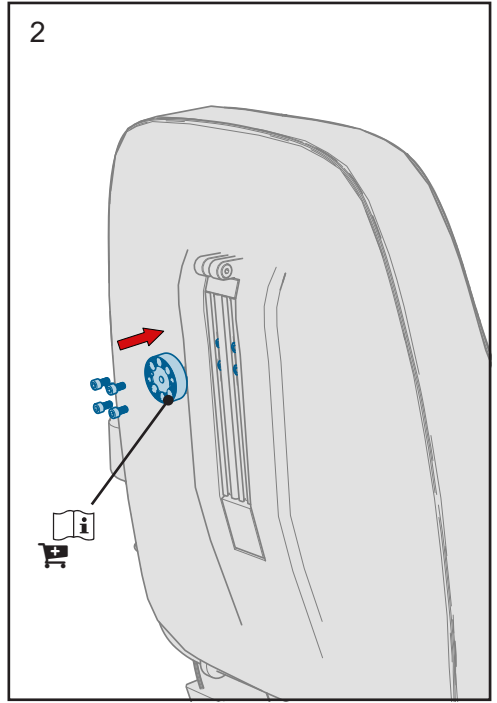
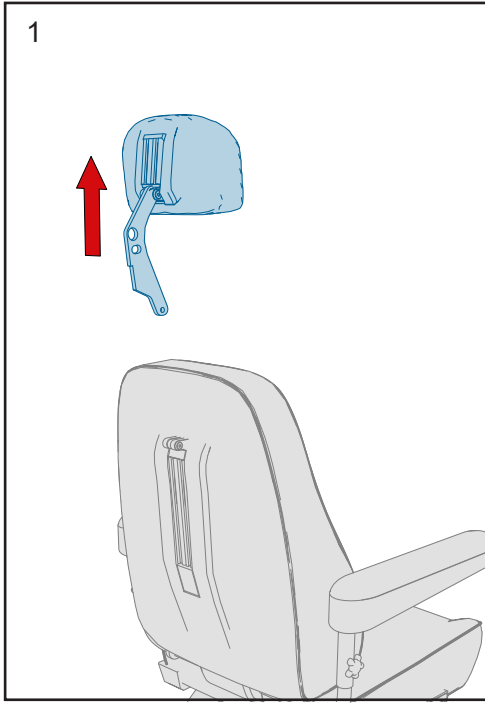
0.68 kg
[1.5 lbs]



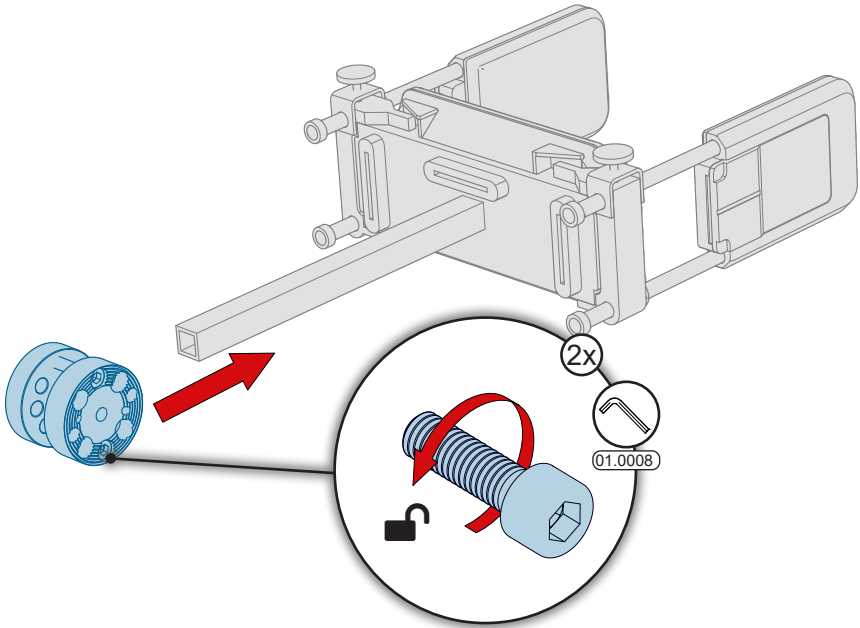
2x 01.0835
● M8x35



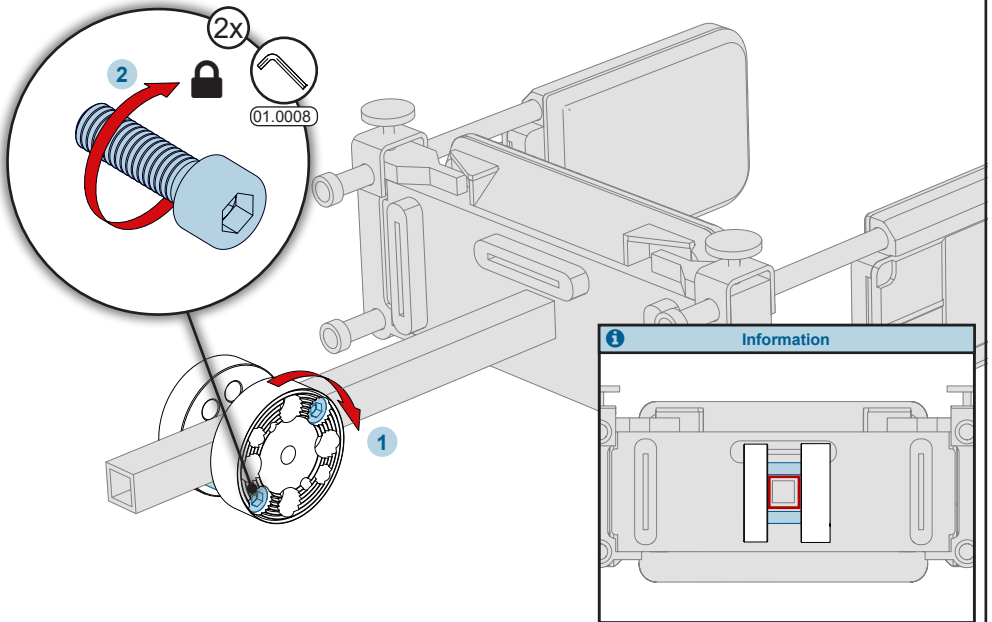
1x 01.0008
● 5mm



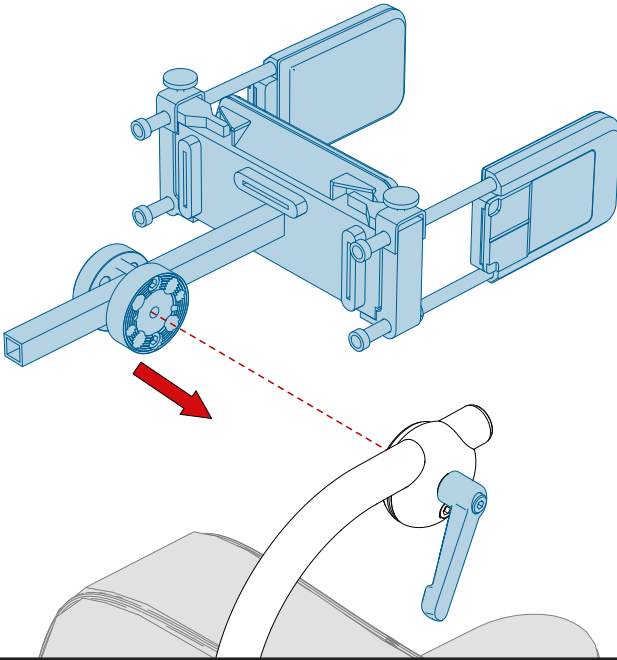
5



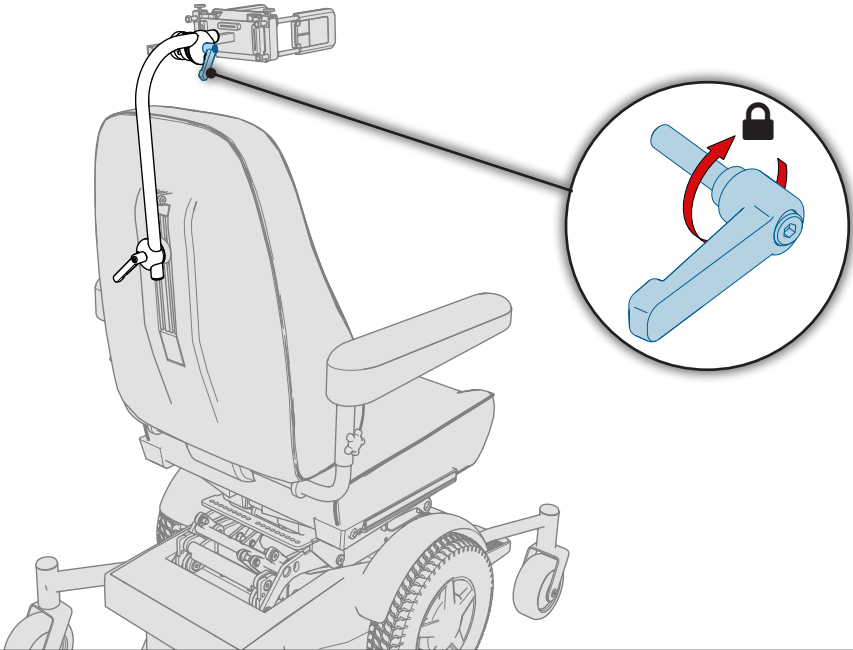
6



7

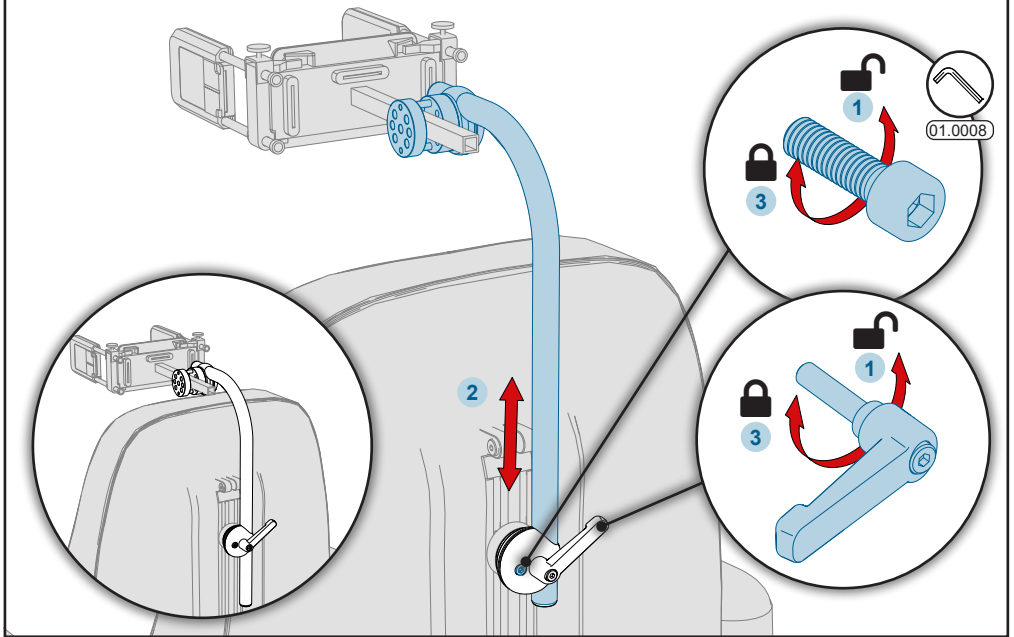


8

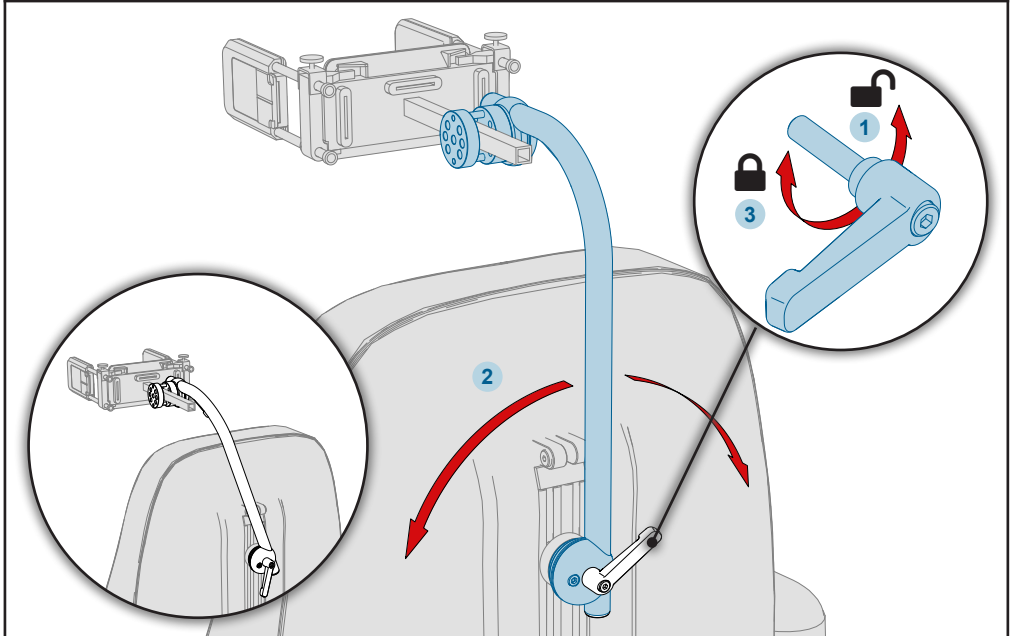




Function / Funktion

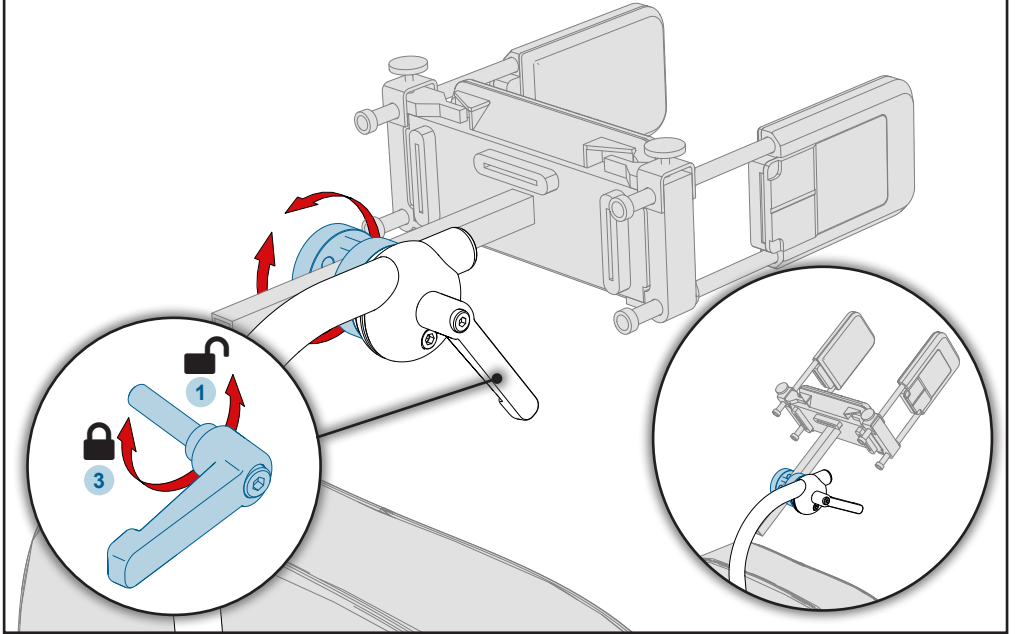


Function / Funktion

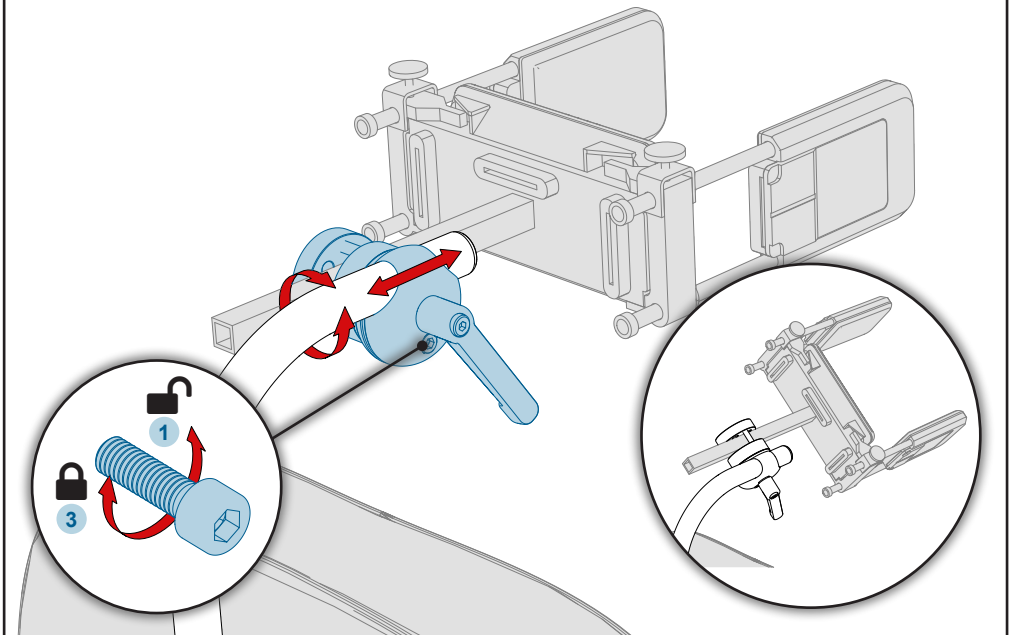




Function / Funktion

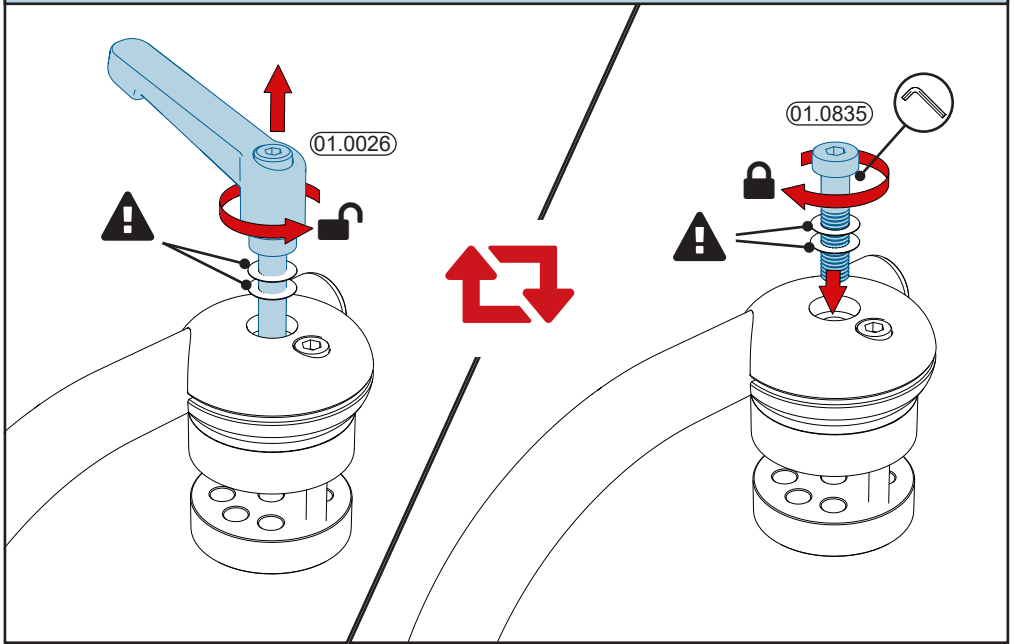


Function / Funktion



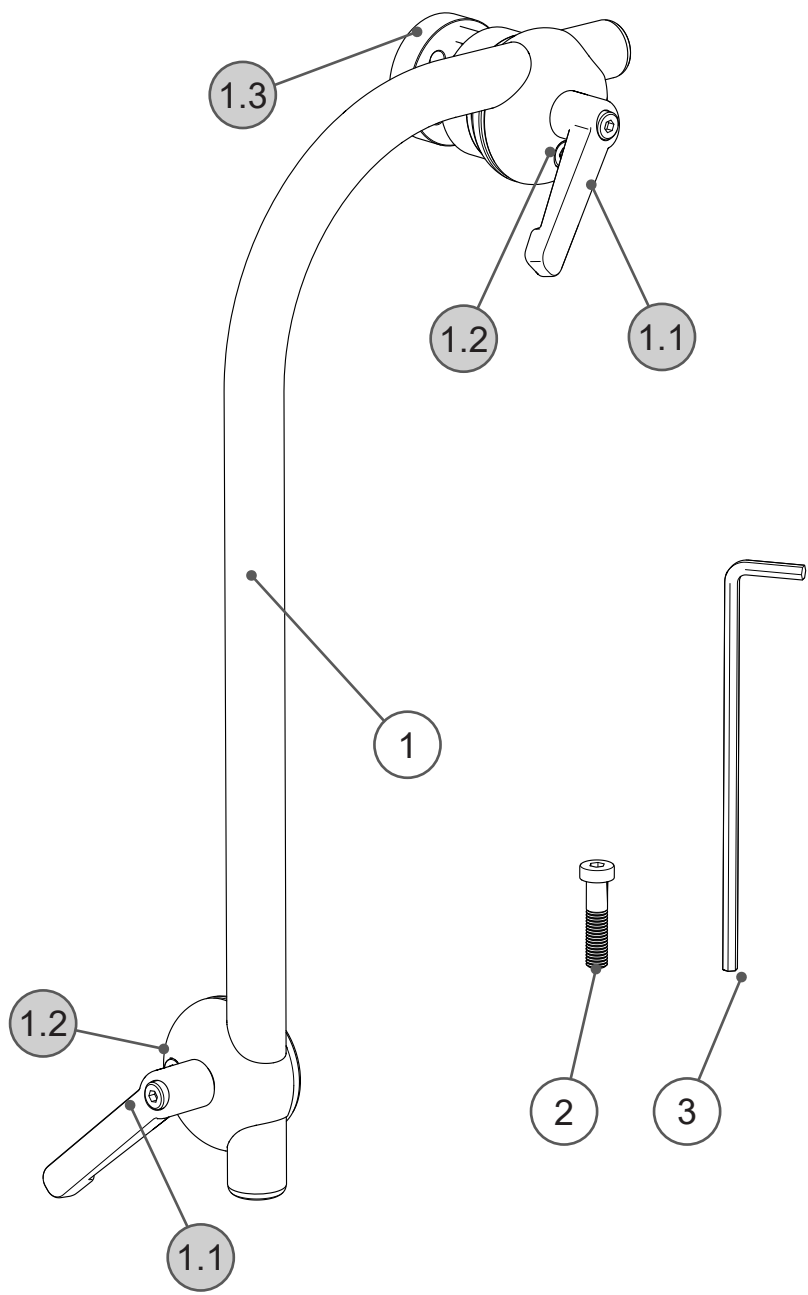


Replacement





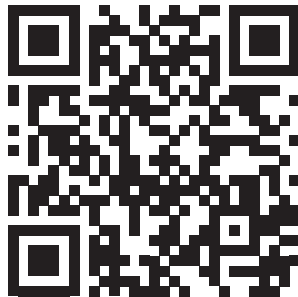
- 1
- 2
- 3



Pos.	No.	Bezeichnung	Description
1		M3D CoMoveIT Smart	M3D CoMoveIT Smart
1.1	01.0026	Klemmhebel M8x35	Lever M8x35
1.2	01.0620	Zylinderschraube M6x20	Cylinder head bolt M6x20
1.3	11.1065	M3D RKL E30	M3D RKL E30
2	01.0835	Zylinderschraube M8x35	Cylinder head bolt M8x35
3	01.0008	Innensechskantschlüssel 5mm	Allen wrench 5mm



We ♥ your
feedback



Rehadapt GmbH

📄 Heinrich-Hertz-Str. 104
34123 Kassel, Germany

☎ Tel.: +49 561 220 717 0
📠 Fax: +49 561 220 717 99

✉ officeteam@rehadapt.com
🌐 <https://rehadapt.com>



Rehadapt
North America

📄 40 Oser Ave, Suite 40-01
Hauppauge, NY 11788

☎ Tel.: 1 (888) 635-6962
📠 Fax: 1 (888) 635-6962

✉ officeteam.na@rehadapt.com
🌐 <https://rehadapt.com>