



GA-Adapter

16.1253 GA EyeV Skyline

Rehadapt Engineering GmbH & Co. KG

Heinrich-Hertz-Str. 104
34123 Kassel, Germany
Tel.: +49 561 220 717 0
Fax: +49 561 220 717 99
officeteam@rehadapt.com
https://rehadapt.com

MADE MOUNTING EASY

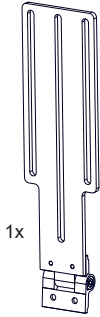


Rehadapt North America

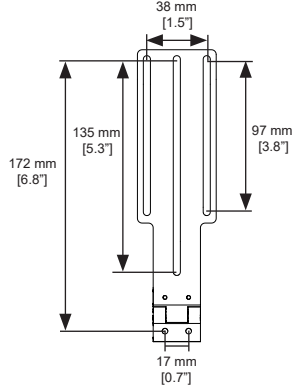
40 Oser Ave, Suite 40-01
Hauppauge, NY 11788
Tel.: 1 (888) 635-6962
Fax: 1 (888) 635-6962
officeteam.na@rehadapt.com
https://rehadapt.com



00.5235-A 2023-06-01



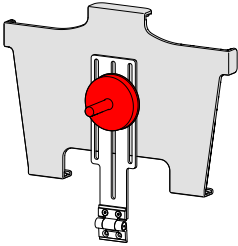
- 2x 01.0541
- 2x 01.0274
- 2x 01.0272
- 1x 01.0035
- 4x 01.0275
- 4x 01.0255
- 2x 01.0808



Mounting options / Montagemöglichkeiten

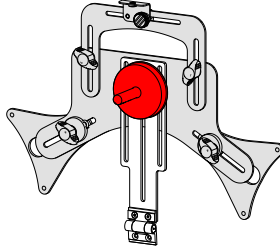
Option 1 (Page/Seite 3)

4x 01.0255



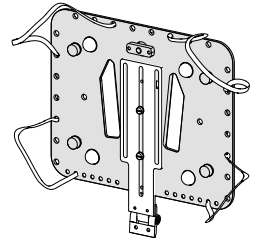
Option 2 (Page/Seite 3)

4x 01.0255



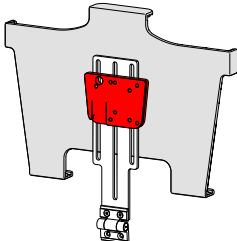
Option 5 (Page/Seite 5)

- 2x 01.0274
- 2x 01.0272
- 4x 01.0275



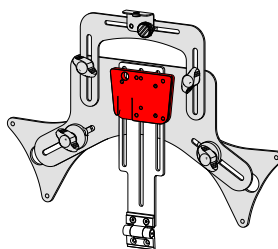
Option 3 (Page/Seite 4)

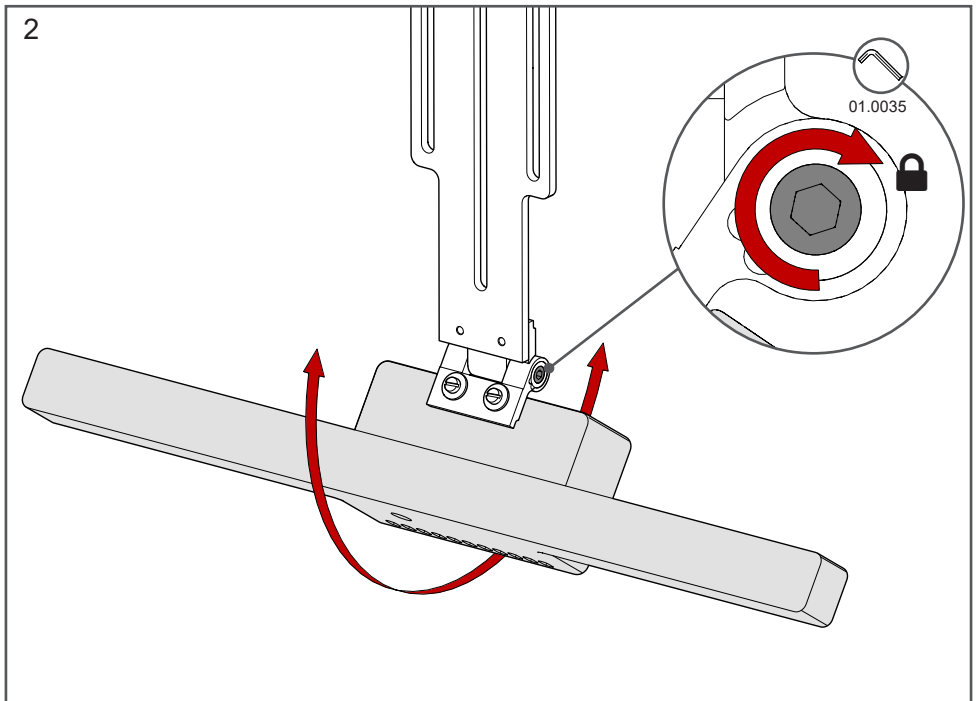
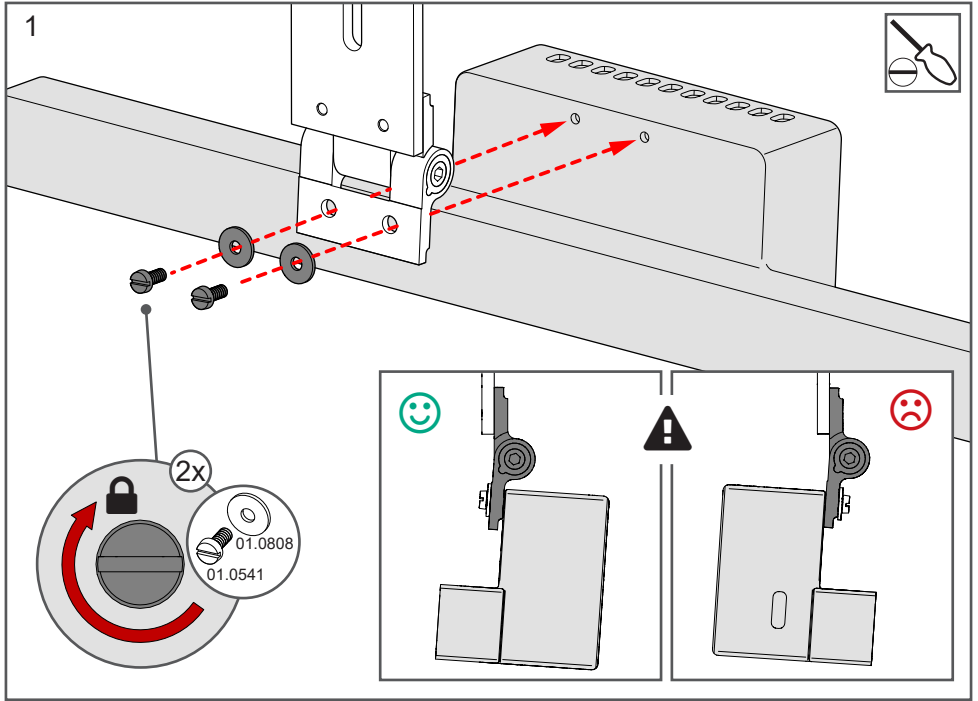
3x 01.0255



Option 4 (Page/Seite 4)

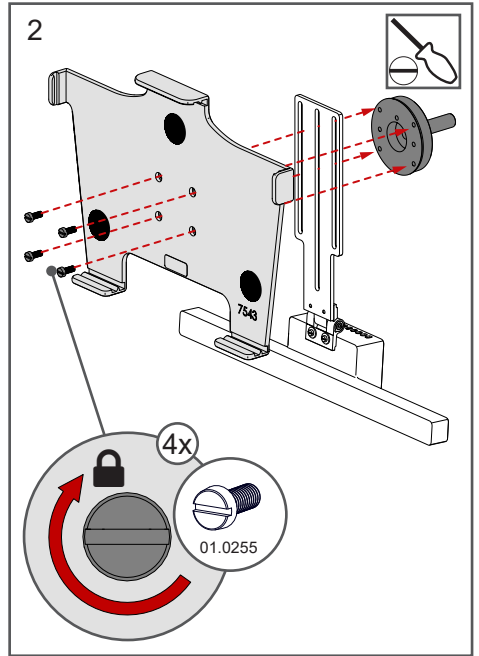
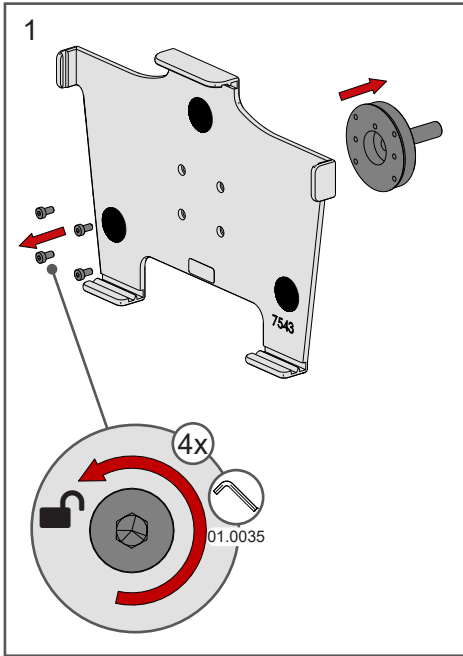
3x 01.0255





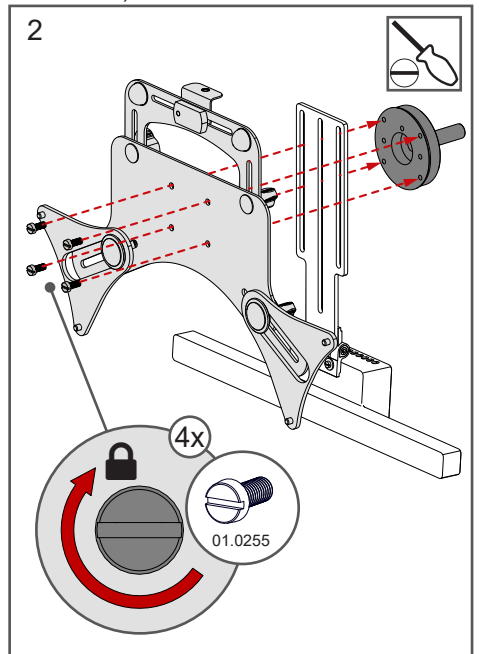
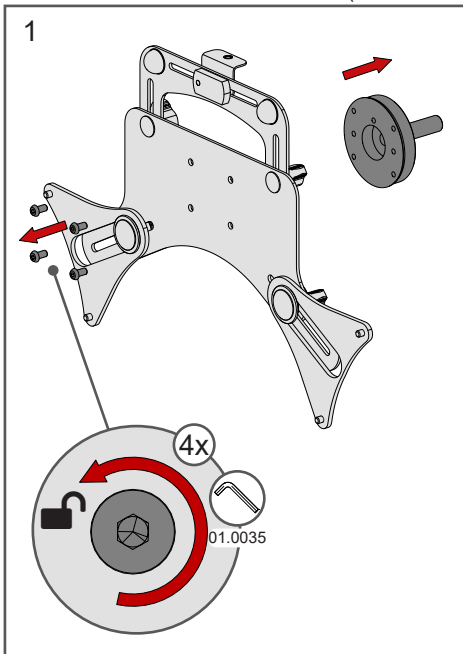
Option 1

(Cradle SLS)



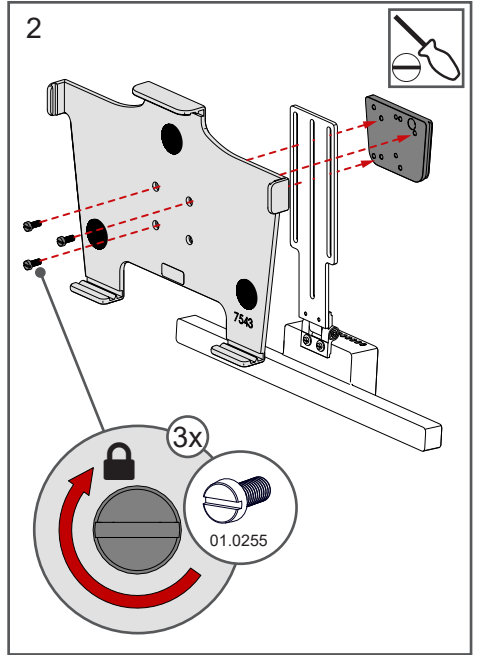
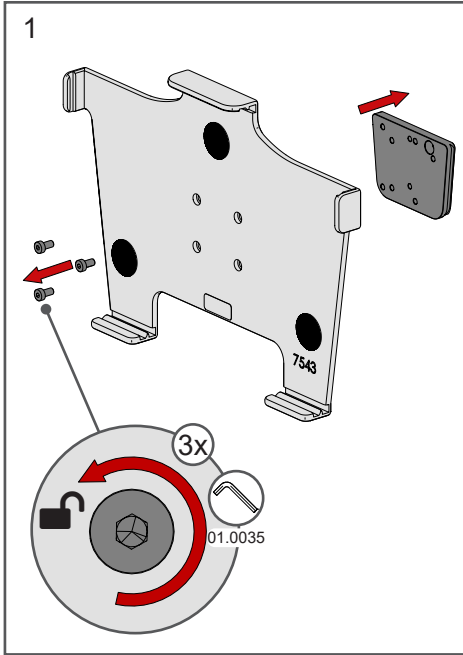
Option 2

(Universal Tablet Holder SLS)



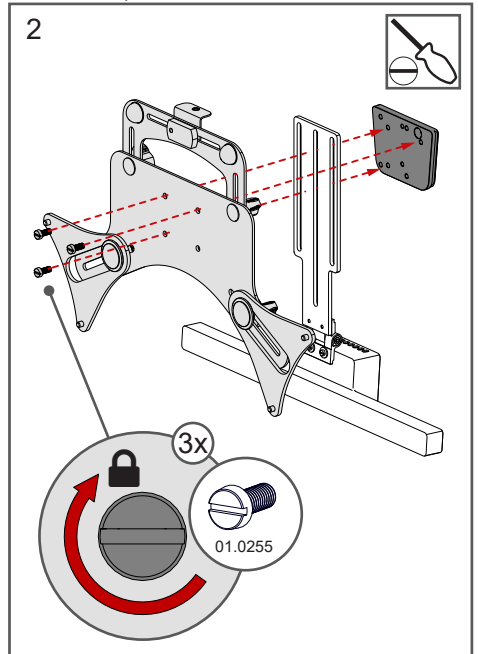
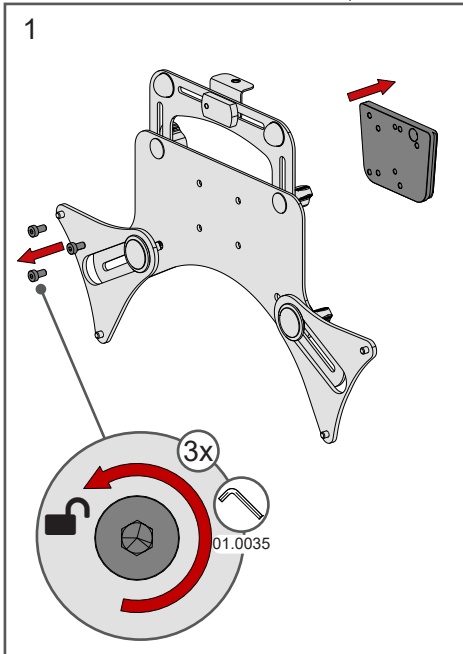
Option 3

(Cradle UDS)



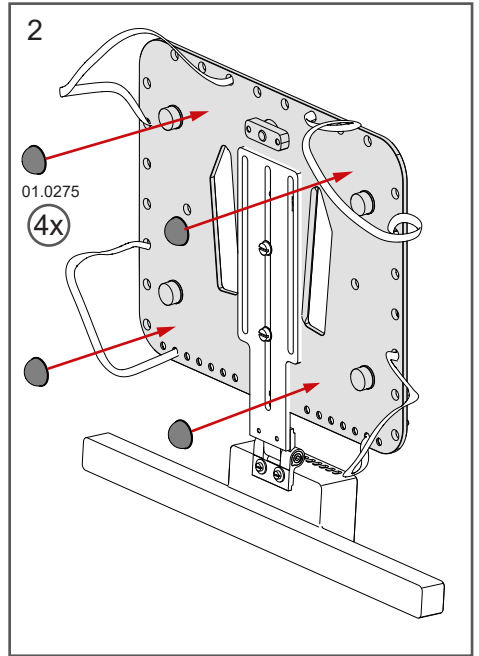
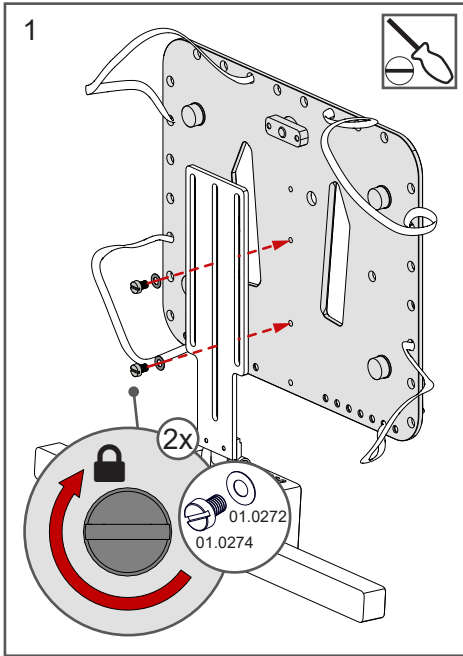
Option 4

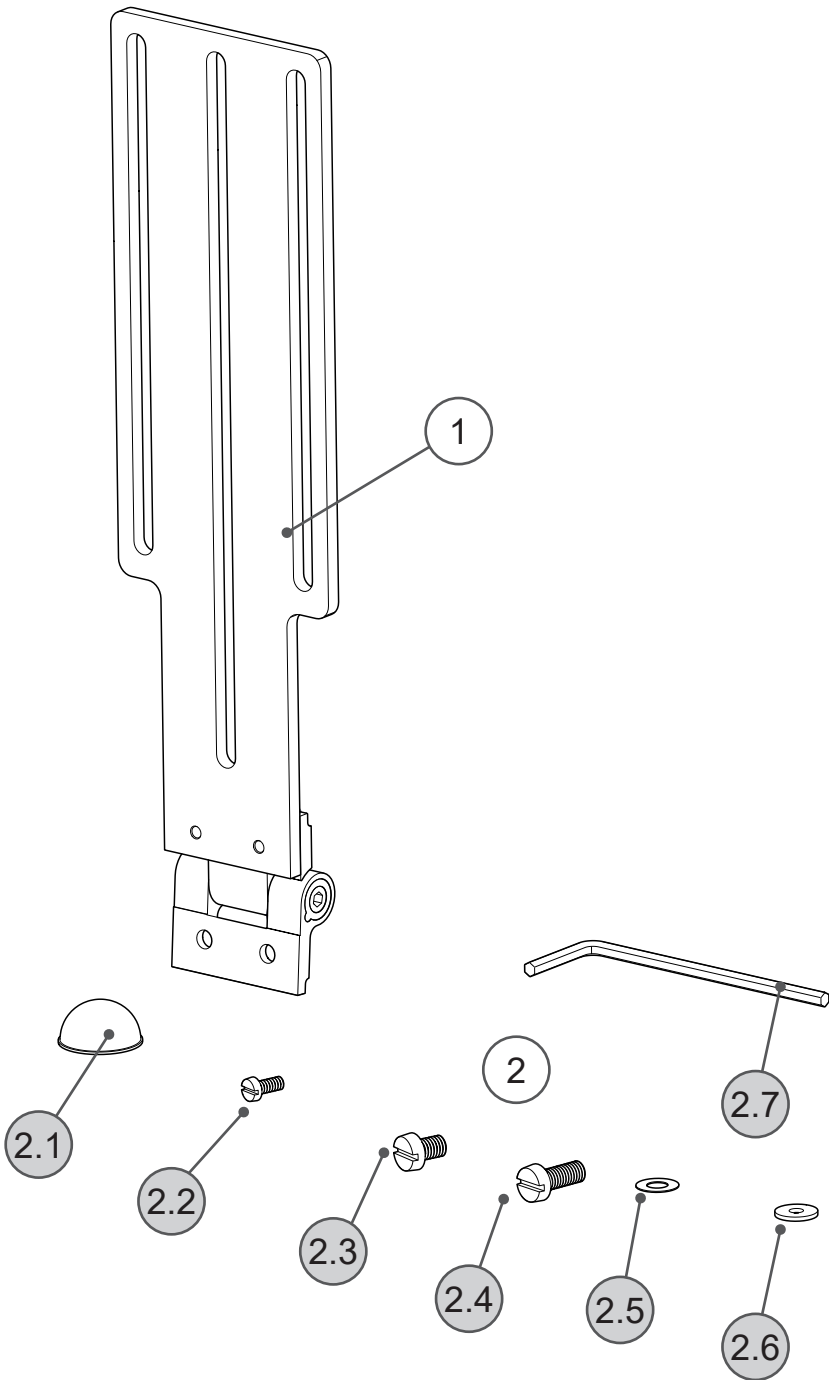
(Universal Tablet Holder UDS)



Option 5

(Netbook / Notebook Holder)





Pos.	No.	Bezeichnung	Description
1		GA EyeV Skyle	GA EyeV Skyle
2	16.1253BS	Schraubensatz - GA EyeV Skyle	Set of bolts - GA EyeV Skyle
2.1	01.0275	Gummifuß	Rubber foot
2.2	01.0541	Zylinderschraube M2,5x6	Cylinder head bolt M2.5x6
2.3	01.0274	Zylinderschraube M4x6	Cylinder head bolt M4x6
2.4	01.0255	Zylinderschraube M4x10	Cylinder head bolt M4x10
2.5	01.0272	Passscheibe 4x8	Adjusting washer 4x8
2.6	01.0808	Unterlegscheibe Ø2,7	Washer Ø2.7
2.7	01.0035	Innensechskantschlüssel 2,5mm	Allen wrench 2.5mm

We ♥ your
feedback



Rehadapt Engineering
GmbH & Co. KG

📖 Heinrich-Hertz-Str. 104
34123 Kassel, Germany

☎ Tel.: +49 561 220 717 0
📠 Fax: +49 561 220 717 99

✉ officeteam@rehadapt.com
🌐 <https://rehadapt.com>



Rehadapt
North America

📖 40 Oser Ave, Suite 40-01
Hauppauge, NY 11788

☎ Tel.: 1 (888) 635-6962
📠 Fax: 1 (888) 635-6962

✉ officeteam.na@rehadapt.com
🌐 <https://rehadapt.com>