



Table Stand

• 12.1647

TS-AT

MOUNTING
MADE EASY



Scan me



00 5234-B 2023-05-25

Sicherheitshinweise
Safety Instructions

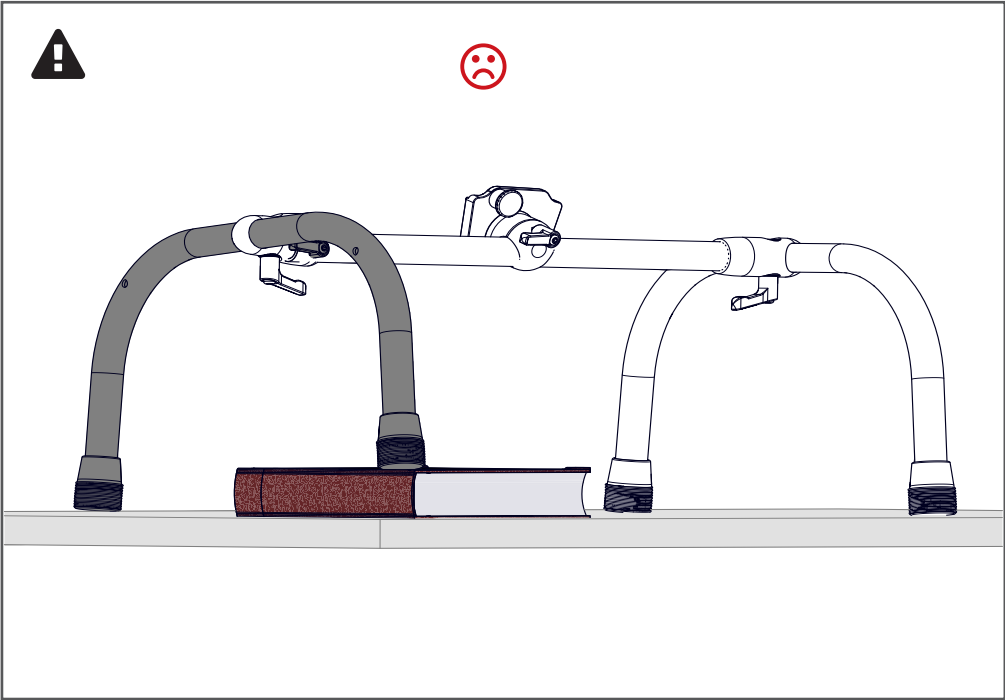
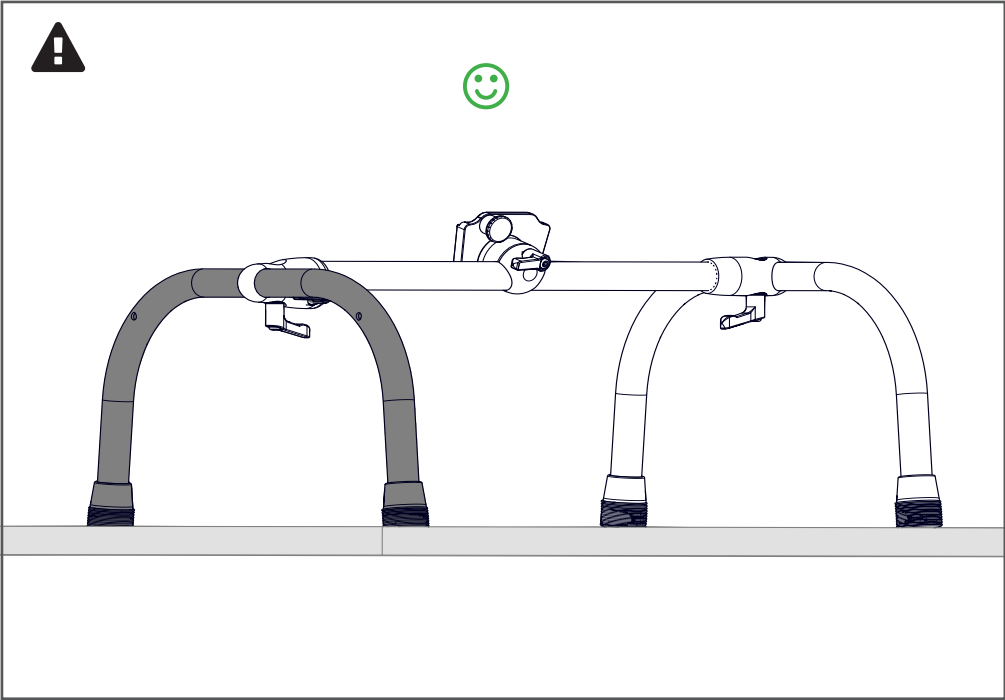


Montage
Assembly Instructions

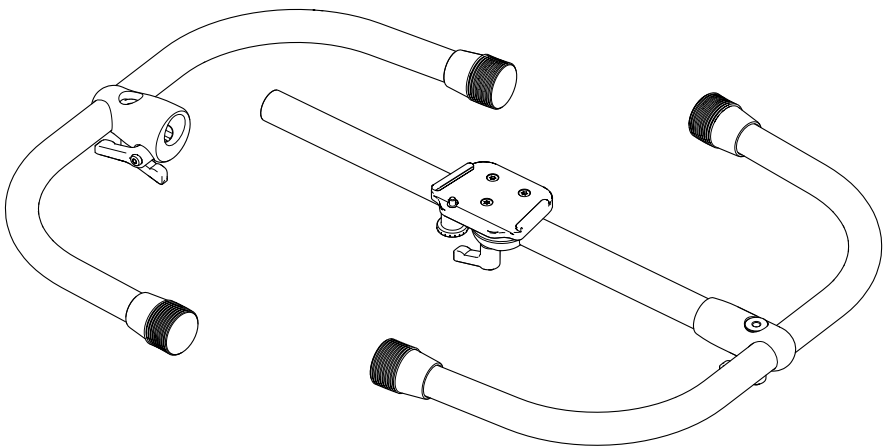
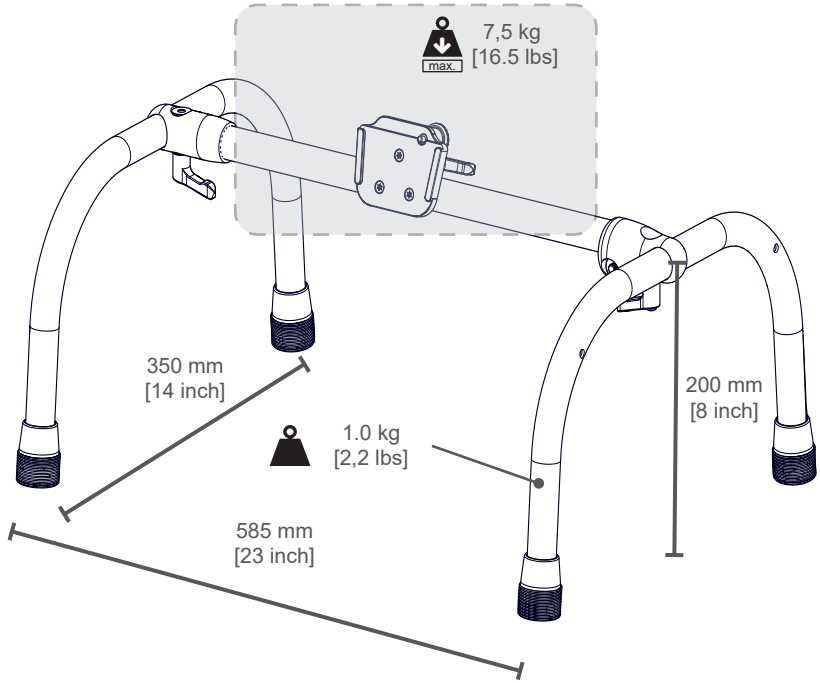


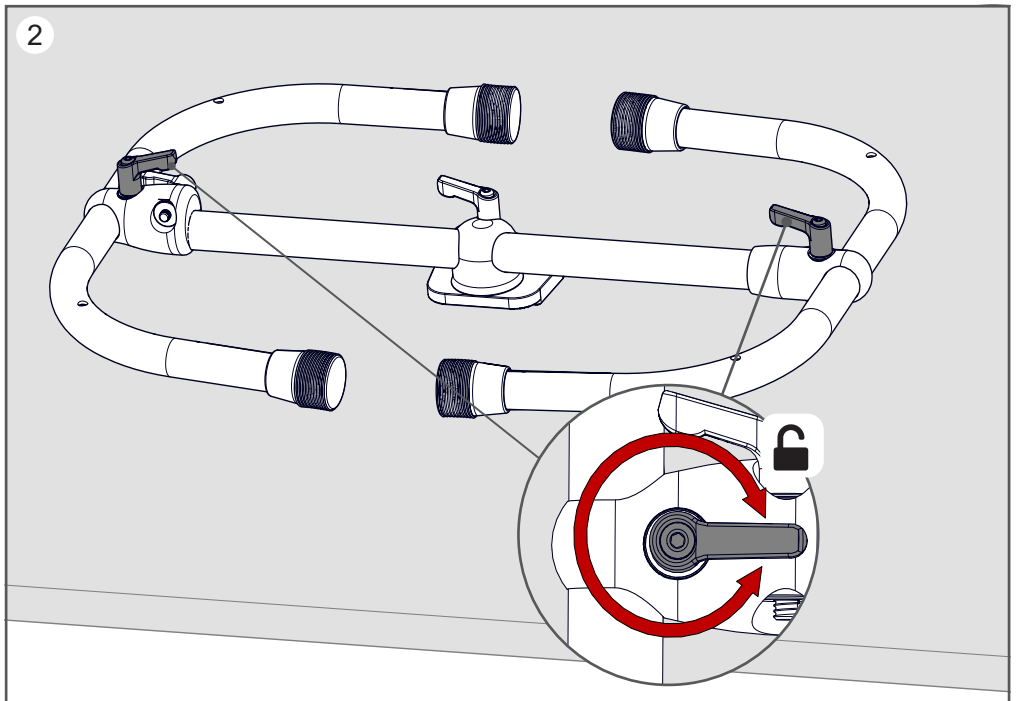
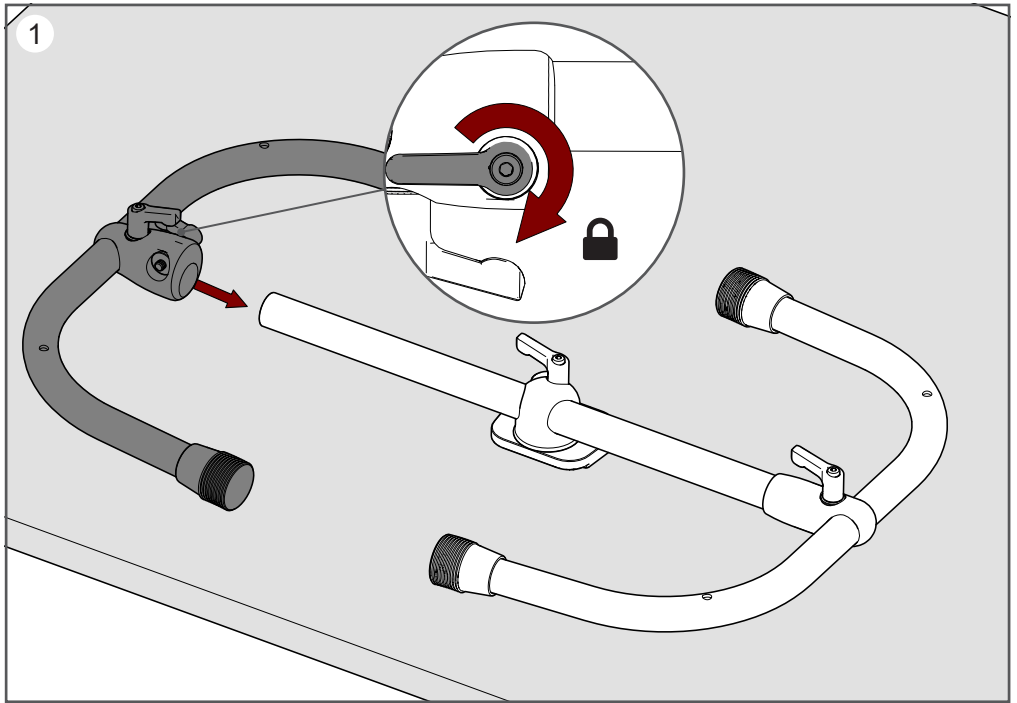
Handhabung
Handling

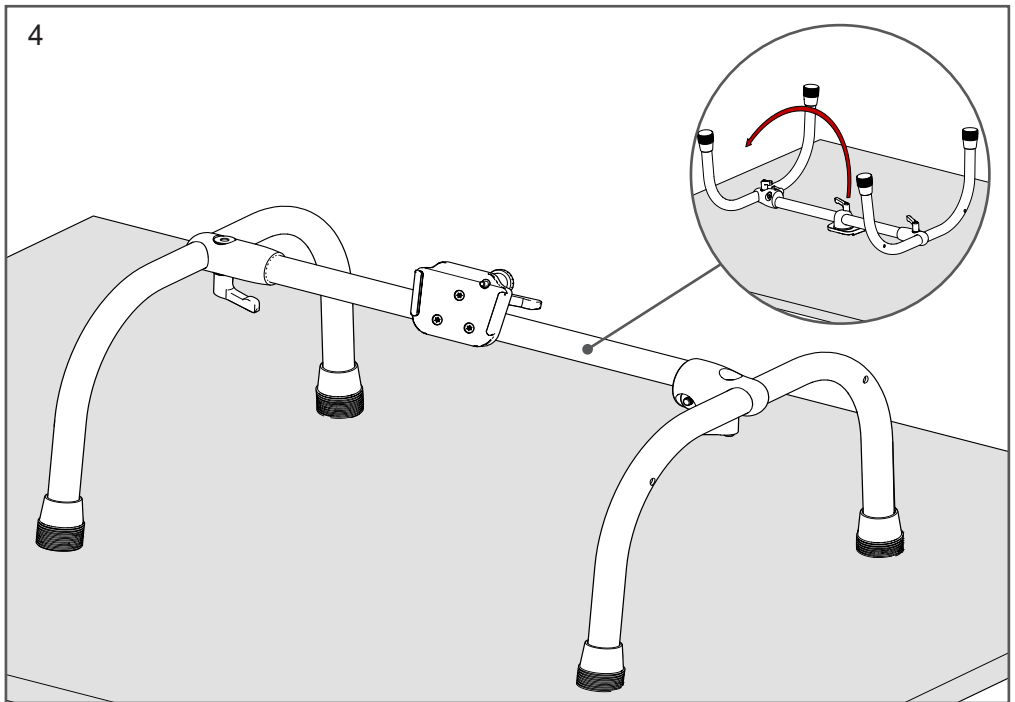
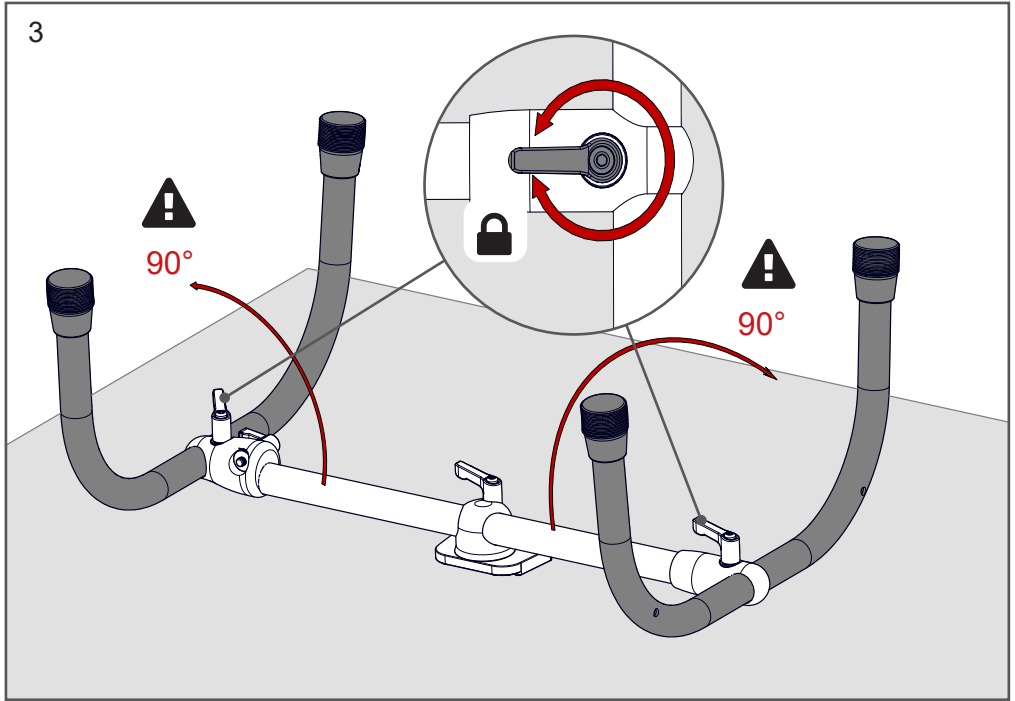




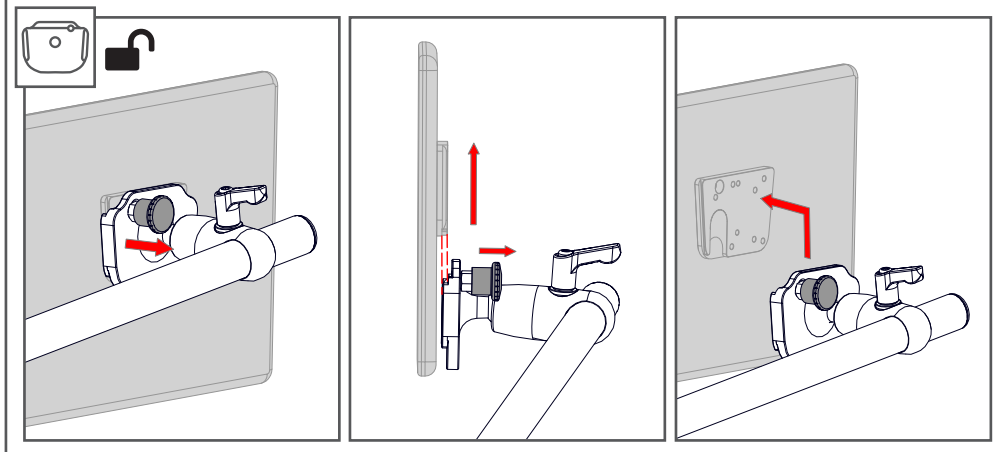
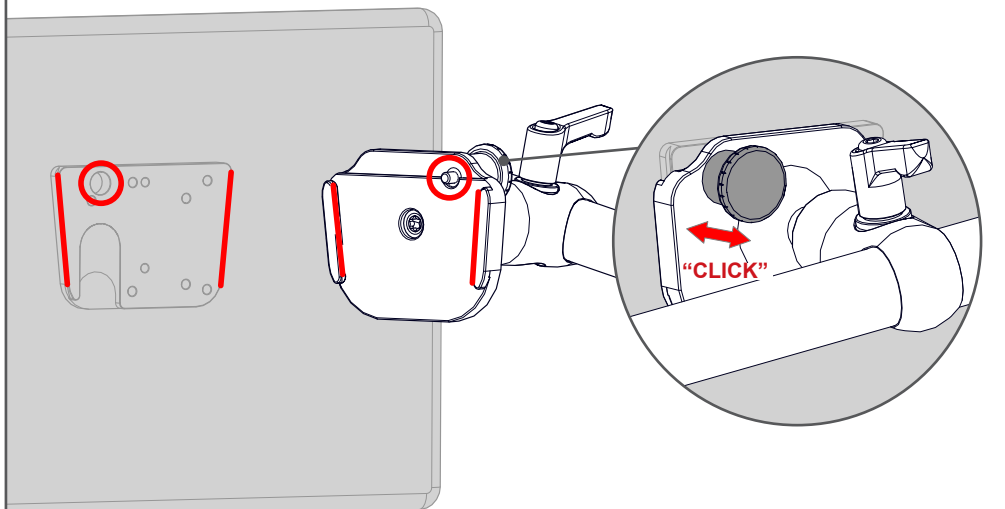
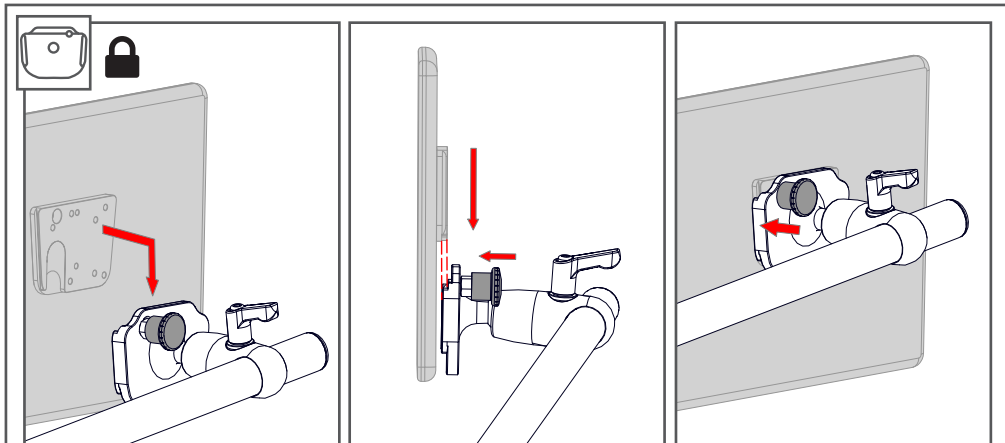


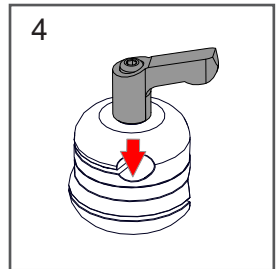
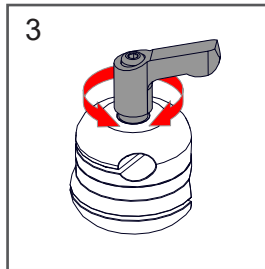
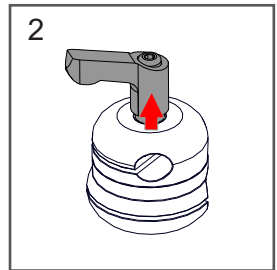
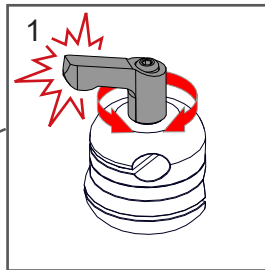
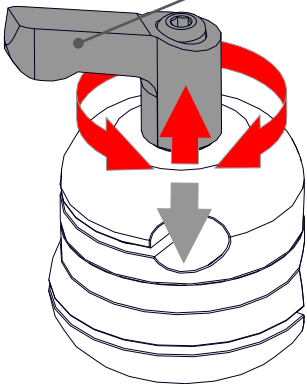
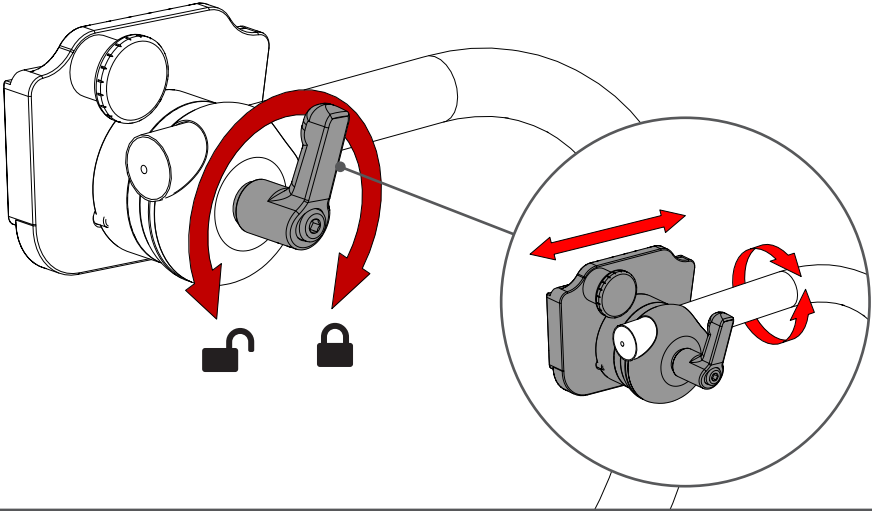


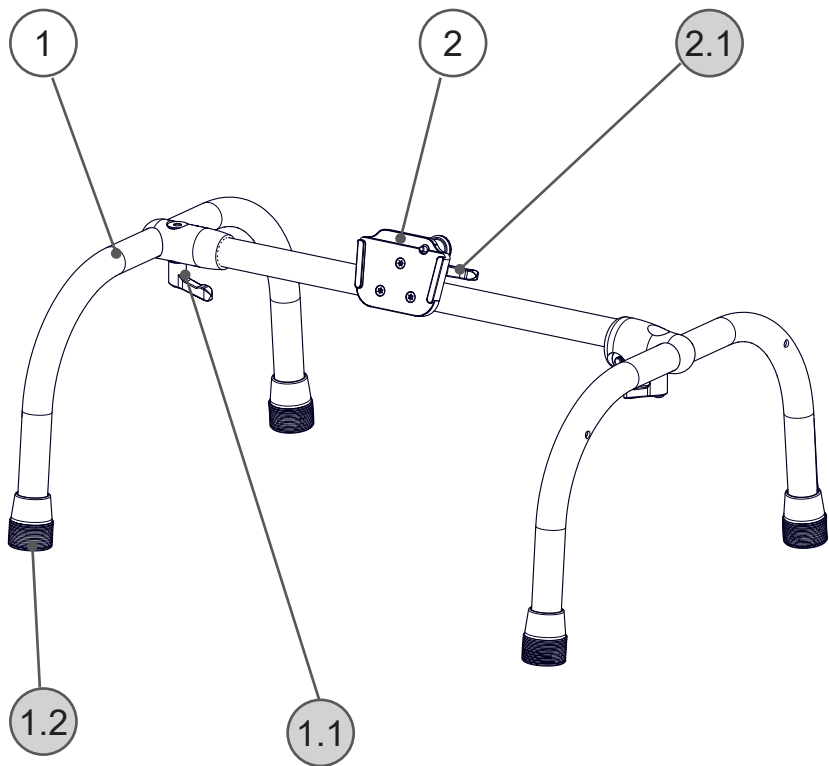






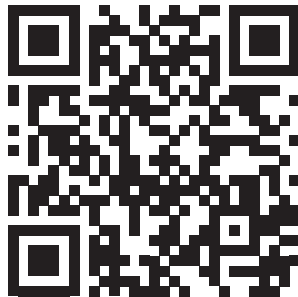






Pos.	No.	Bezeichnung	Description
1		TS-AT	TS-AT
1.1	01.0028	Klemmhebel M6x20	Clamping lever M6x20
1.2	01.0865	Fußkappe Ø22	Foot cap Ø22
2	16.1054	UGA-ECO-QS	UDS-ECO-QS
2.1	01.0028	Klemmhebel M6x20	Clamping lever M6x20

We ♥ your
feedback



Rehadapt Engineering
GmbH & Co. KG

📖 Heinrich-Hertz-Str. 104
34123 Kassel, Germany

☎ Tel.: +49 561 220 717 0
📠 Fax: +49 561 220 717 99

✉ officeteam@rehadapt.com
🌐 <https://rehadapt.com>



Rehadapt
North America

📖 40 Oser Ave, Suite 40-01
Hauppauge, NY 11788

☎ Tel.: 1 (888) 635-6962
📠 Fax: 1 (888) 635-6962

✉ officeteam.na@rehadapt.com
🌐 <https://rehadapt.com>