

00.5197-A1 2022-08-22

M3D Swing Away Joint

11.1360



Rehadapt Engineering GmbH
& Co. KG

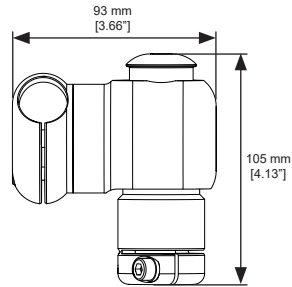
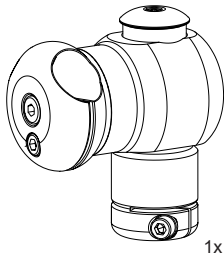
Heinrich-Hertz-Str. 104
34123 Kassel, Germany
Tel.: +49 561 220 717 0
Fax: +49 561 220 717 99
officeteam@rehadapt.com
<https://rehadapt.com>

MADE EASY



Rehadapt
North America

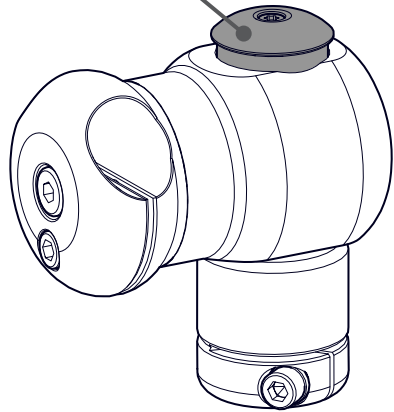
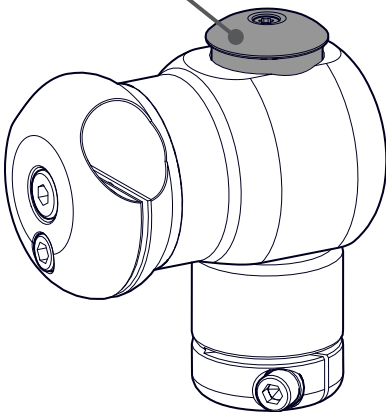
40 Oser Ave, Suite 40-01
Hauppauge, NY 11788
Fax: 1 (888) 635-6962
office@na.rehadapt.com
<https://rehadapt.com>

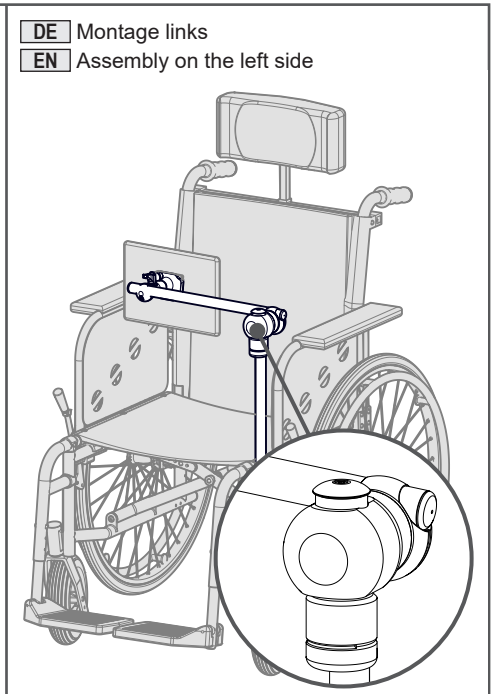
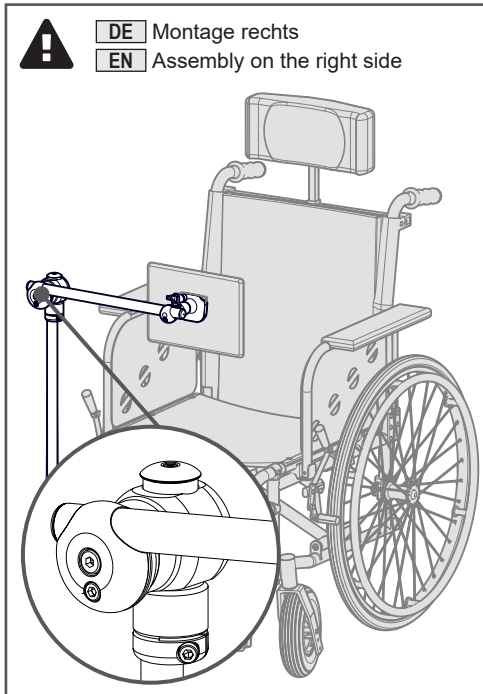
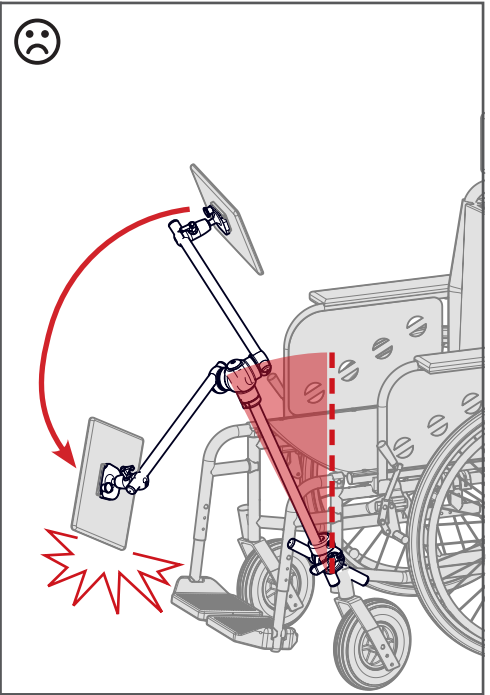
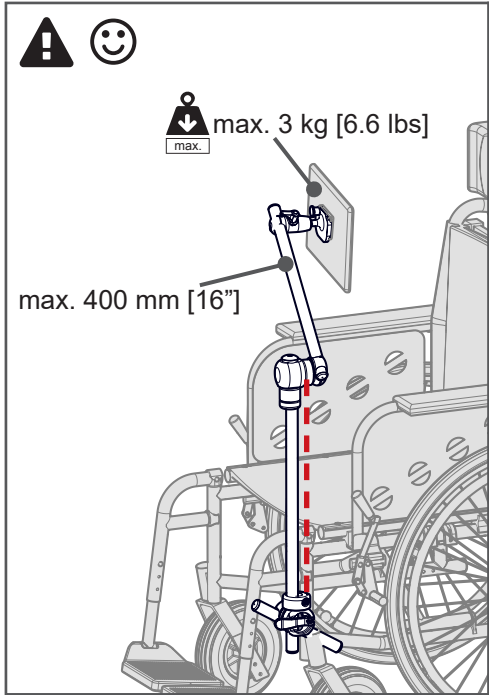


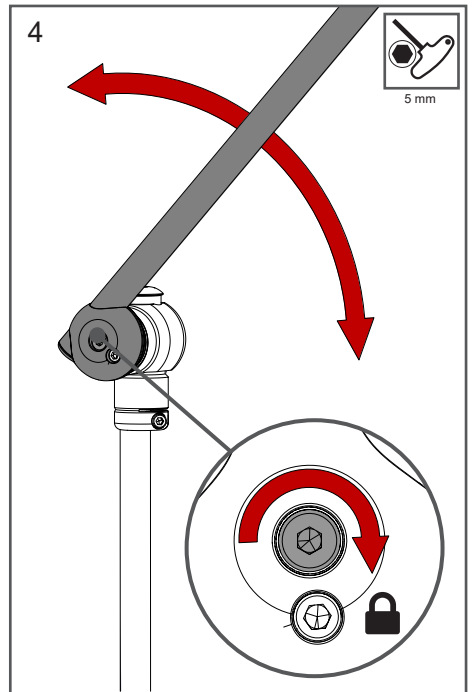
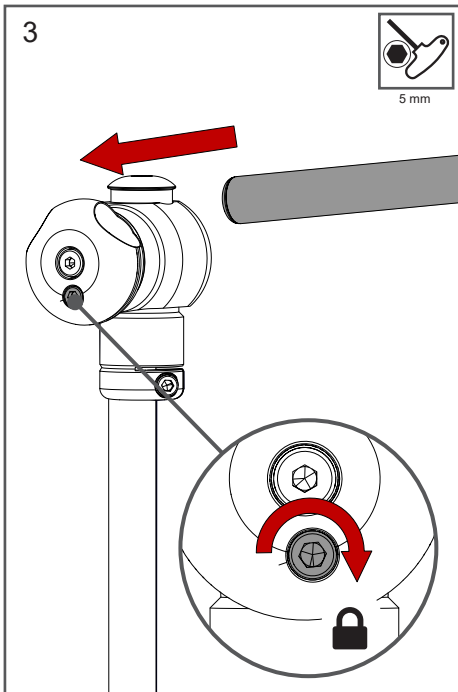
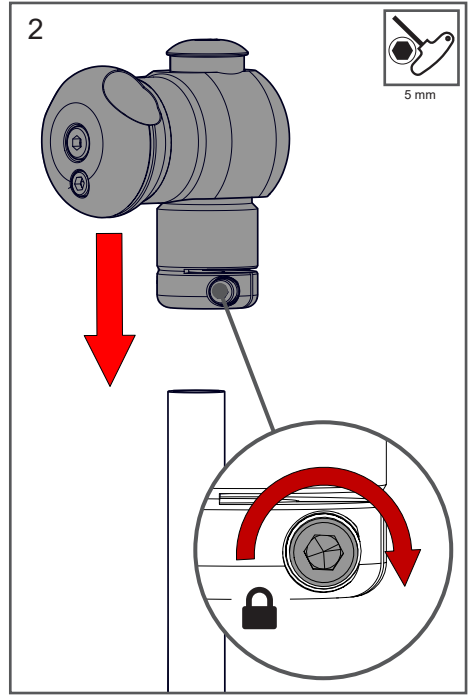
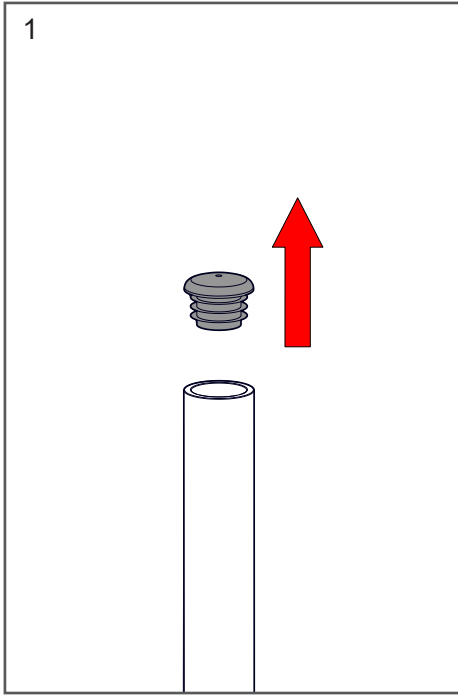
5 mm



DE Keine Verschmutzung
EN Keep dirt-free

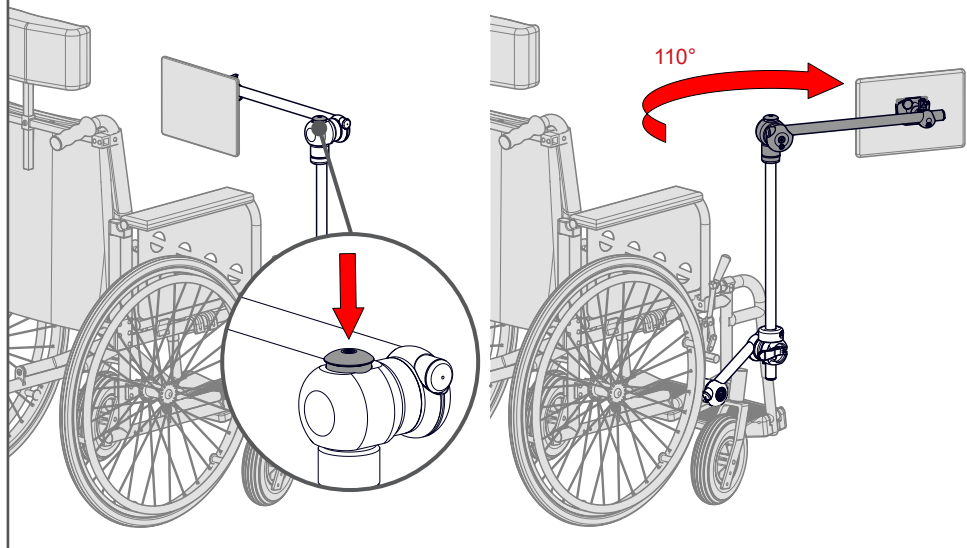








START → EXIT



We  your
feedback



Scan me