

L3D 10 Base R10-16

14.1110 - 14.1115

2021-07-12

00.5141~A



Rehadapt Engineering
GmbH & Co. KG

Heinrich-Hertz-Str. 104
34123 Kassel, Germany

Tel.: +49 561 220 717 0
Fax: +49 561 220 717 99

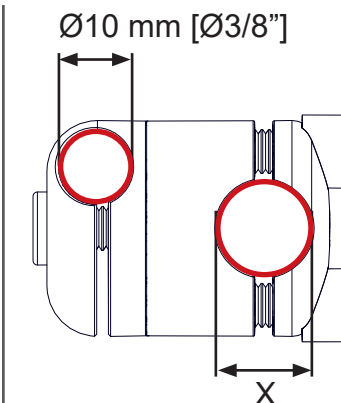
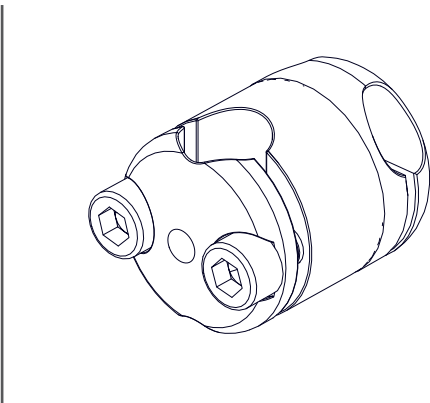
officeteam@rehadapt.com
https://rehadapt.com

Rehadapt
North America

40 Oser Ave, Suite 40-01
Hauppauge, NY 11788

Tel.: 1 (888) 635-6962
Fax: 1 (888) 635-6962

officeteam.na@rehadapt.com
https://rehadapt.com



#	X
14.1111	10-10.5 mm [3/8"]
14.1115	11-11.5 mm [7/16"]
14.1110	12-13 mm [1/2"]
14.1114	14 mm [9/16"]
14.1112	15 mm [19/32"]
14.1113	16 mm [5/8"]



5 mm



fit

too big

too small

no curved

