

2021-11-30

00.5035~I

Floorstand

• 17.1052 FS TeleLock QP

Sicherheitshinweise
Safety Instructions

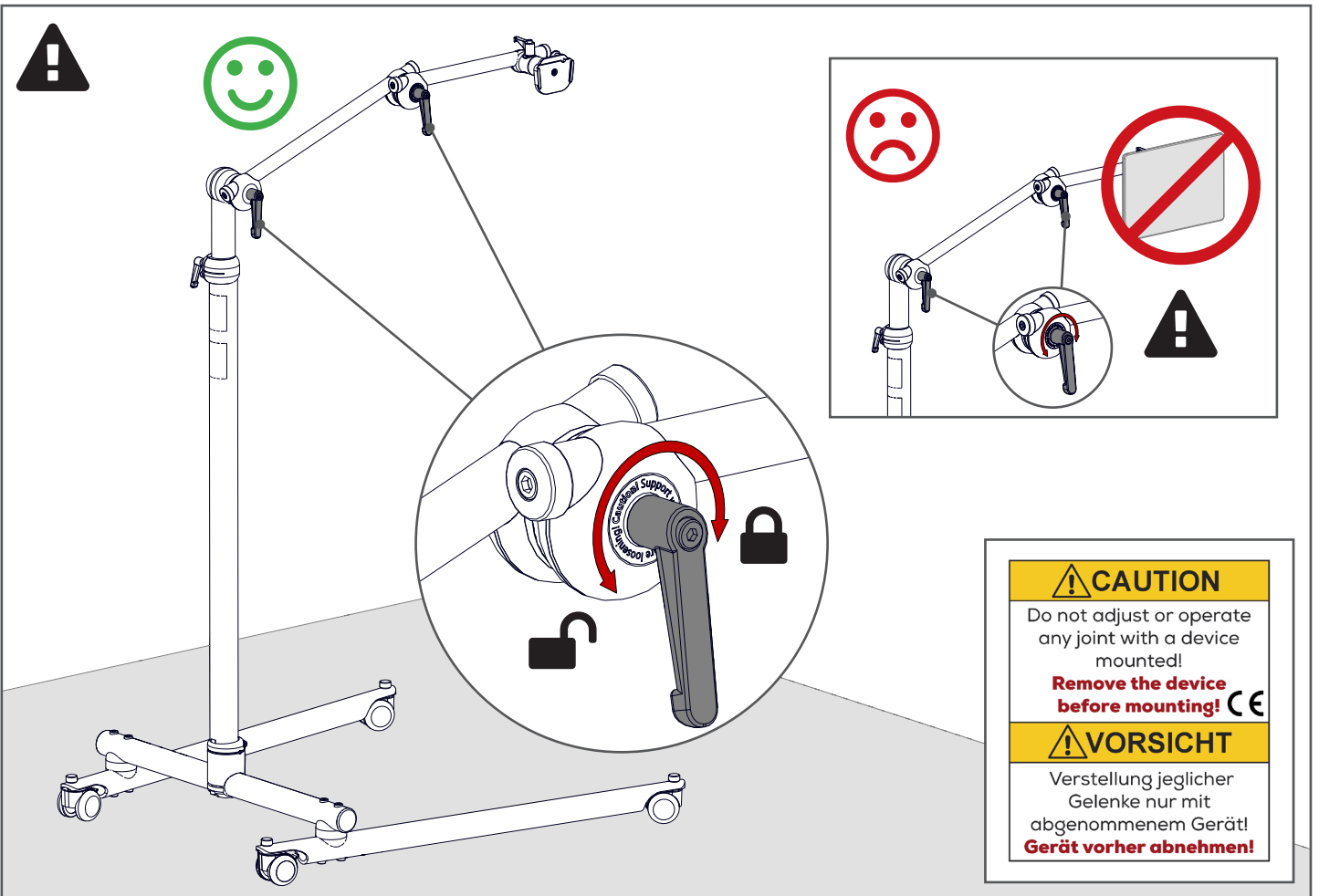
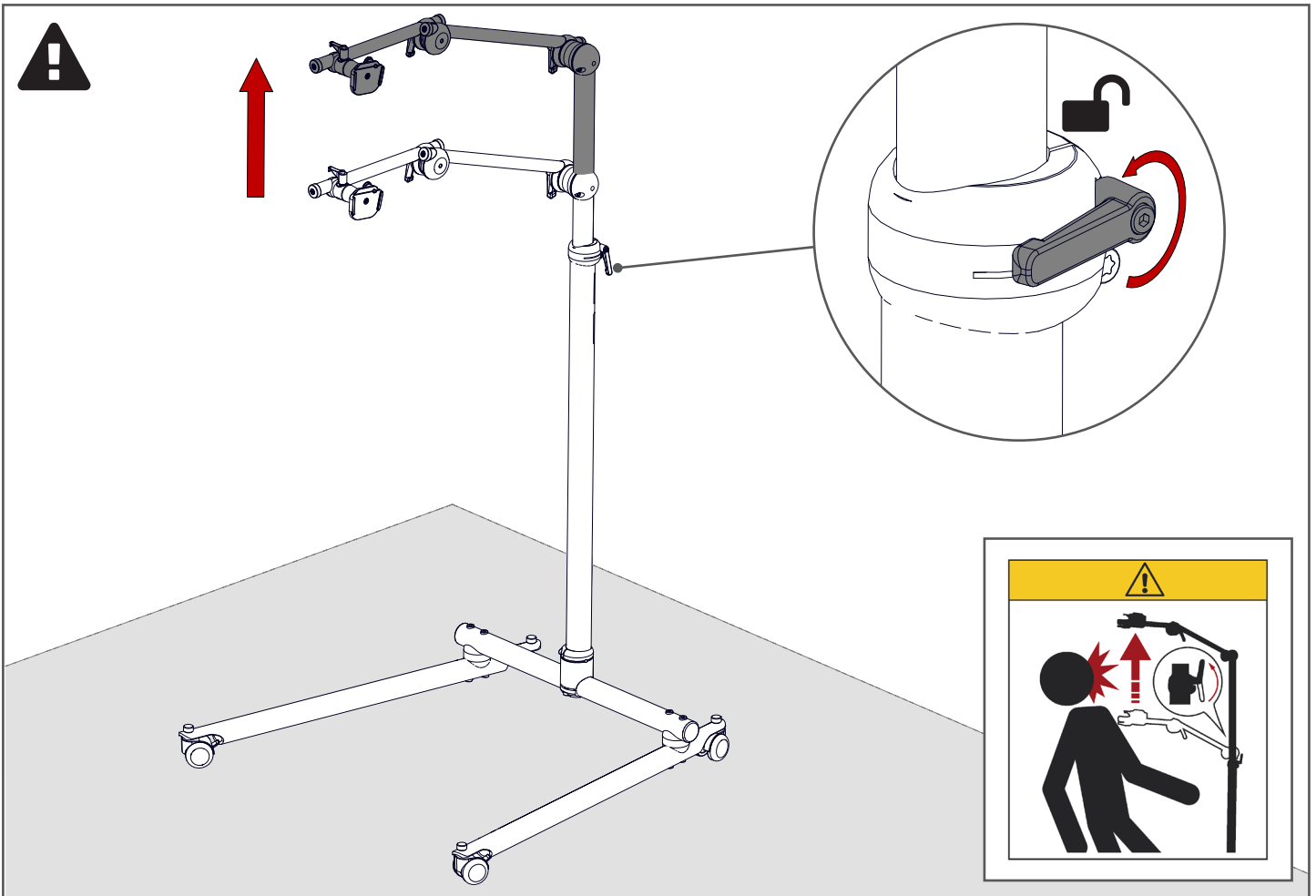


Montage
Assembly Instructions

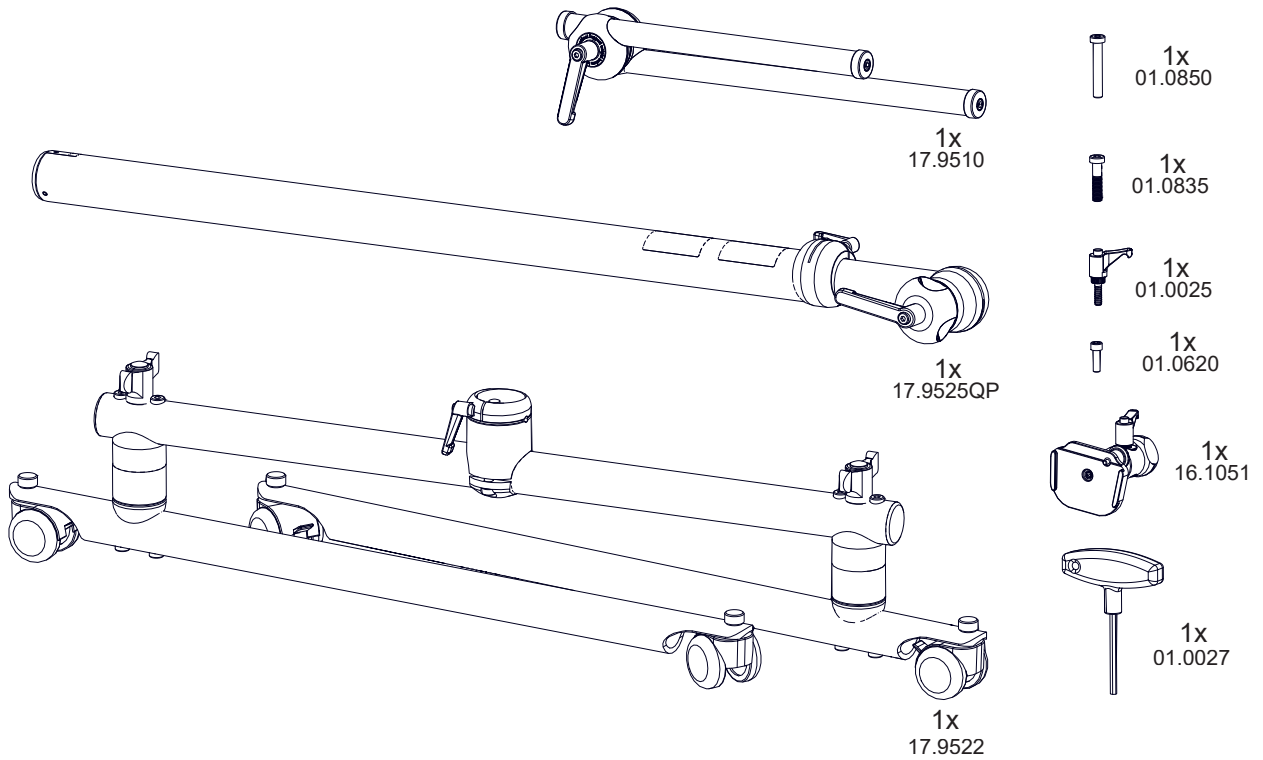
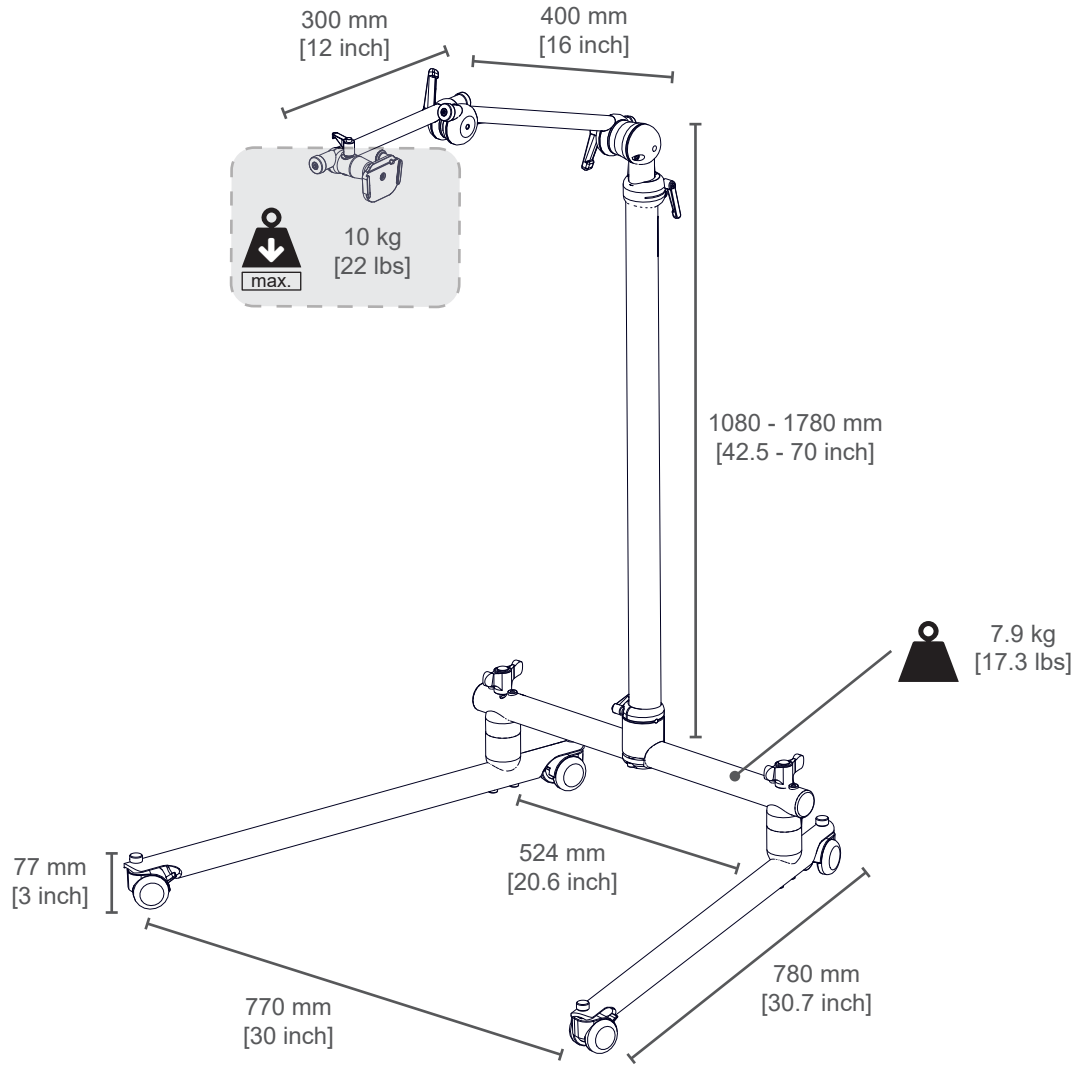


Handhabung
Handling

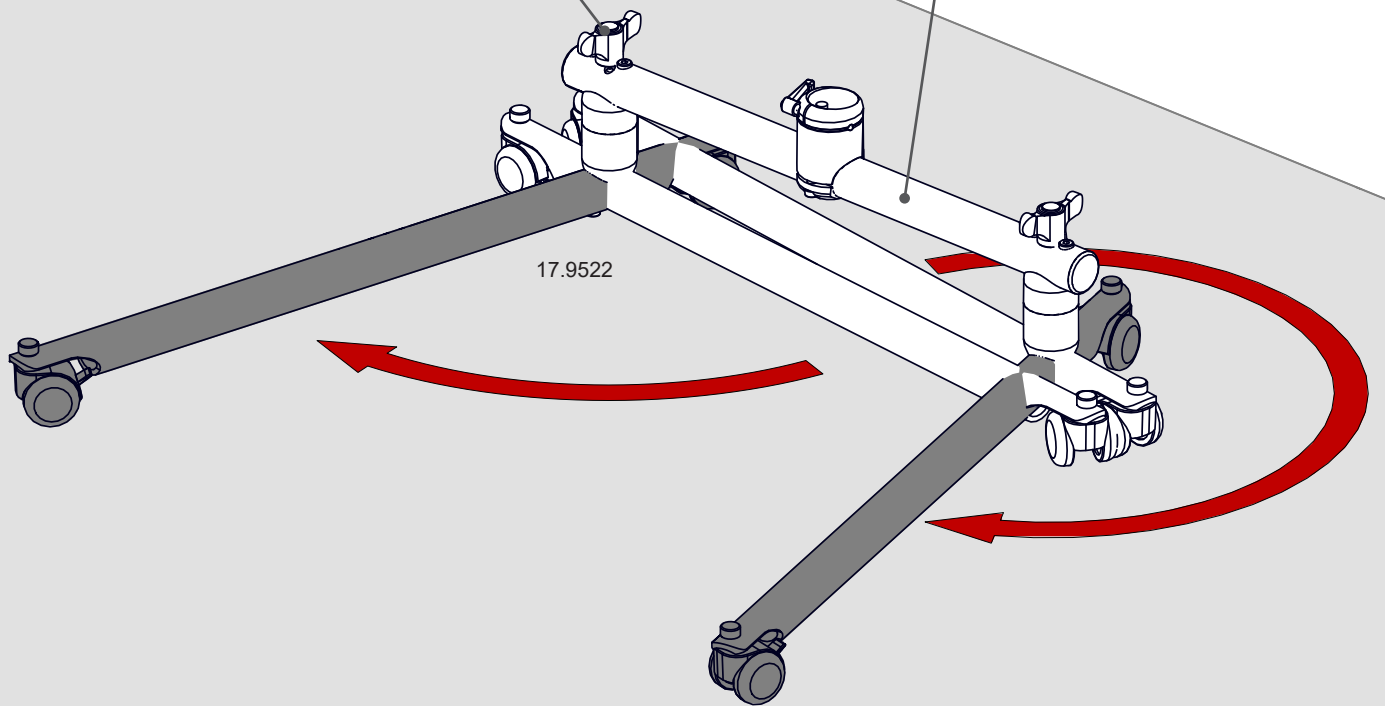
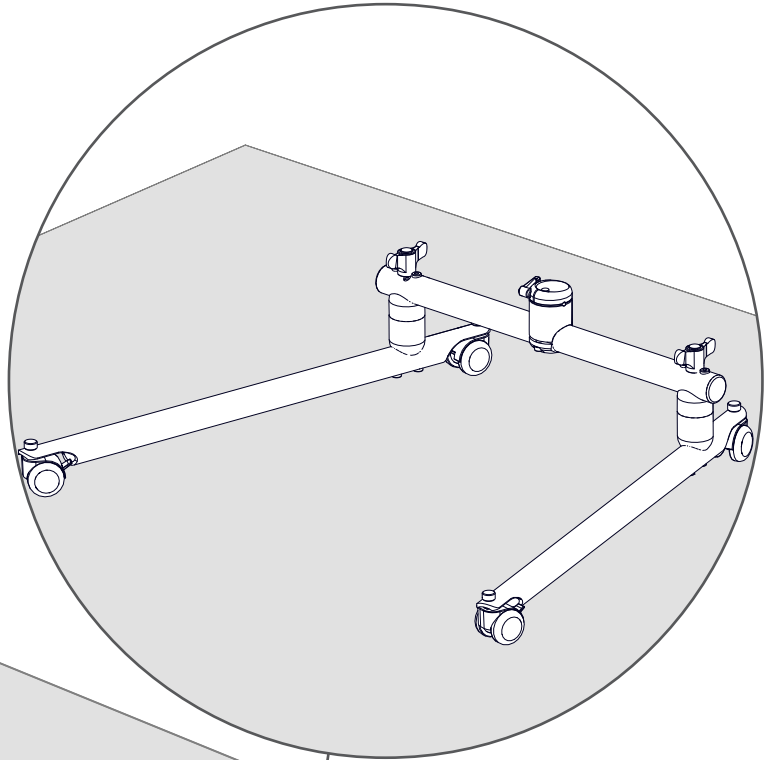
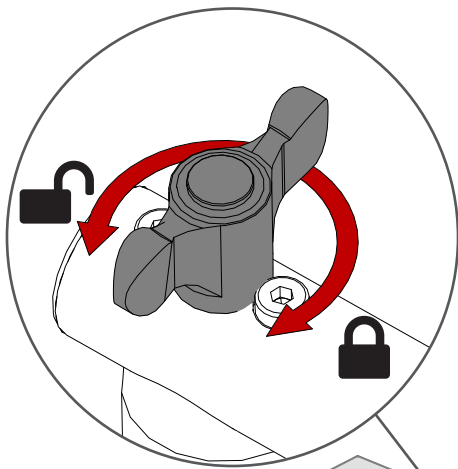
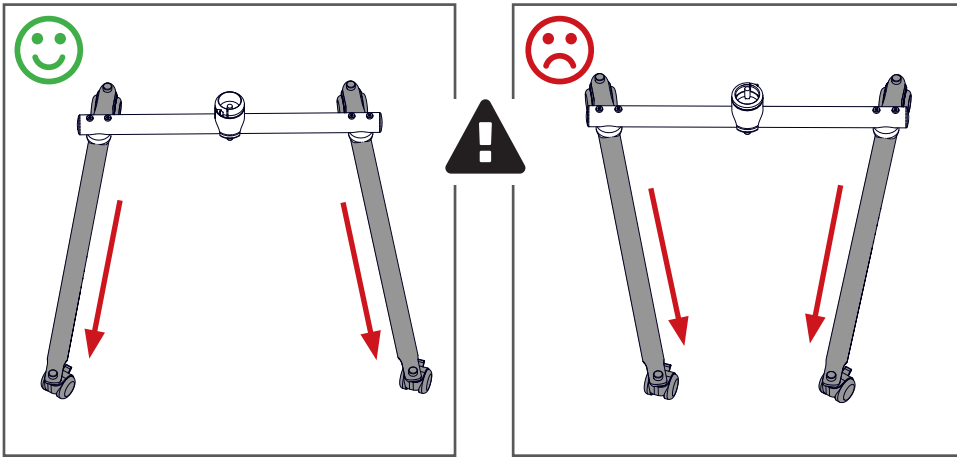




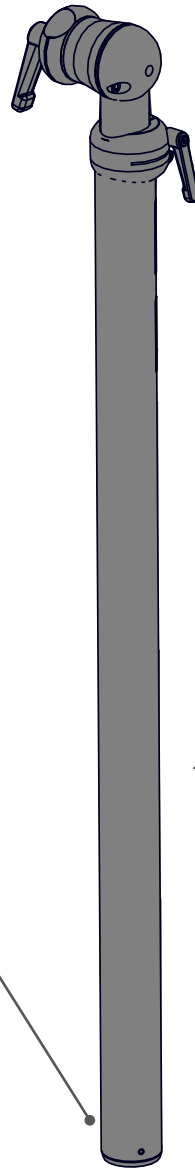
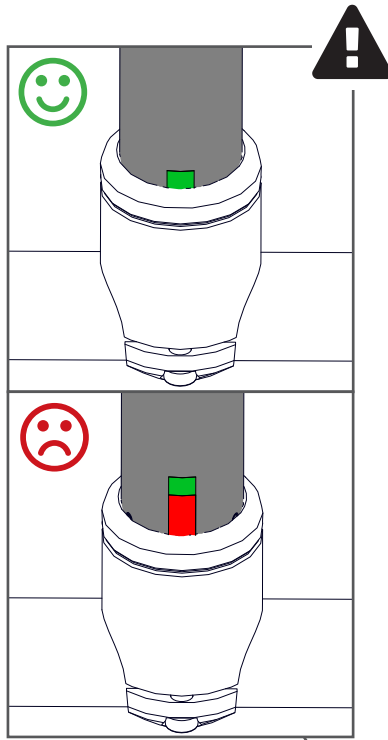
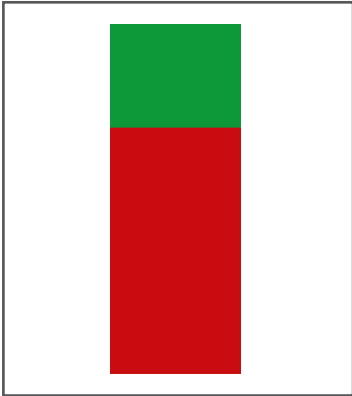




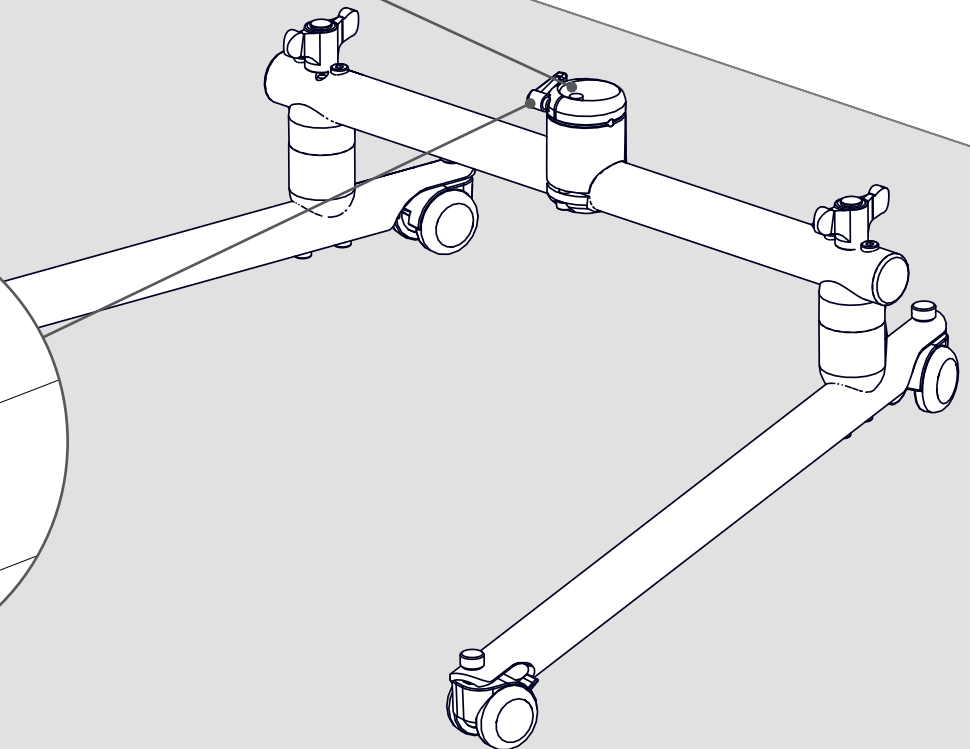
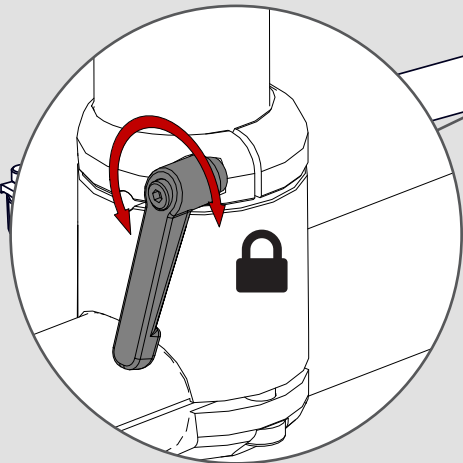
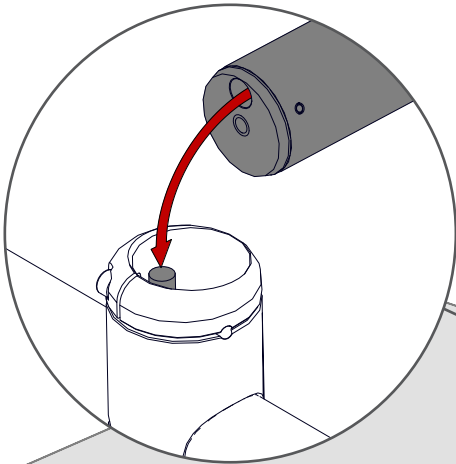
1



2

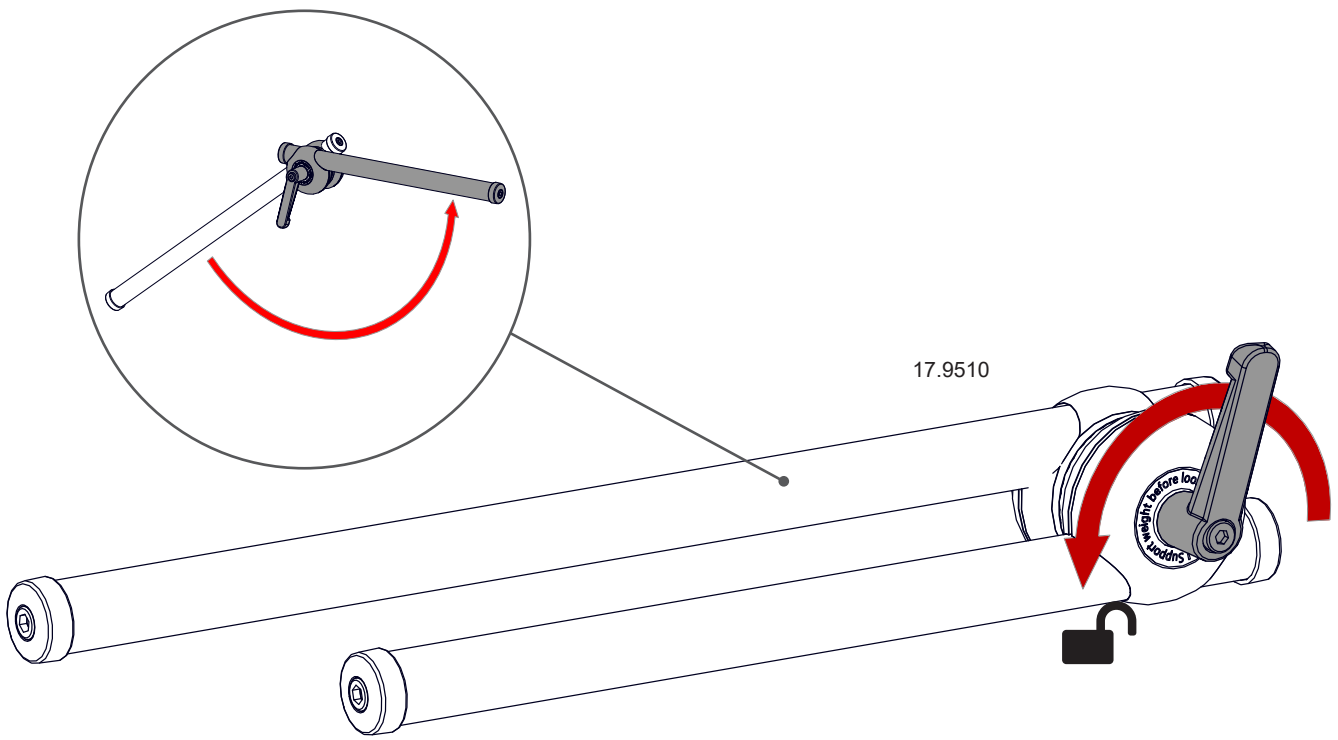


17.9525QP

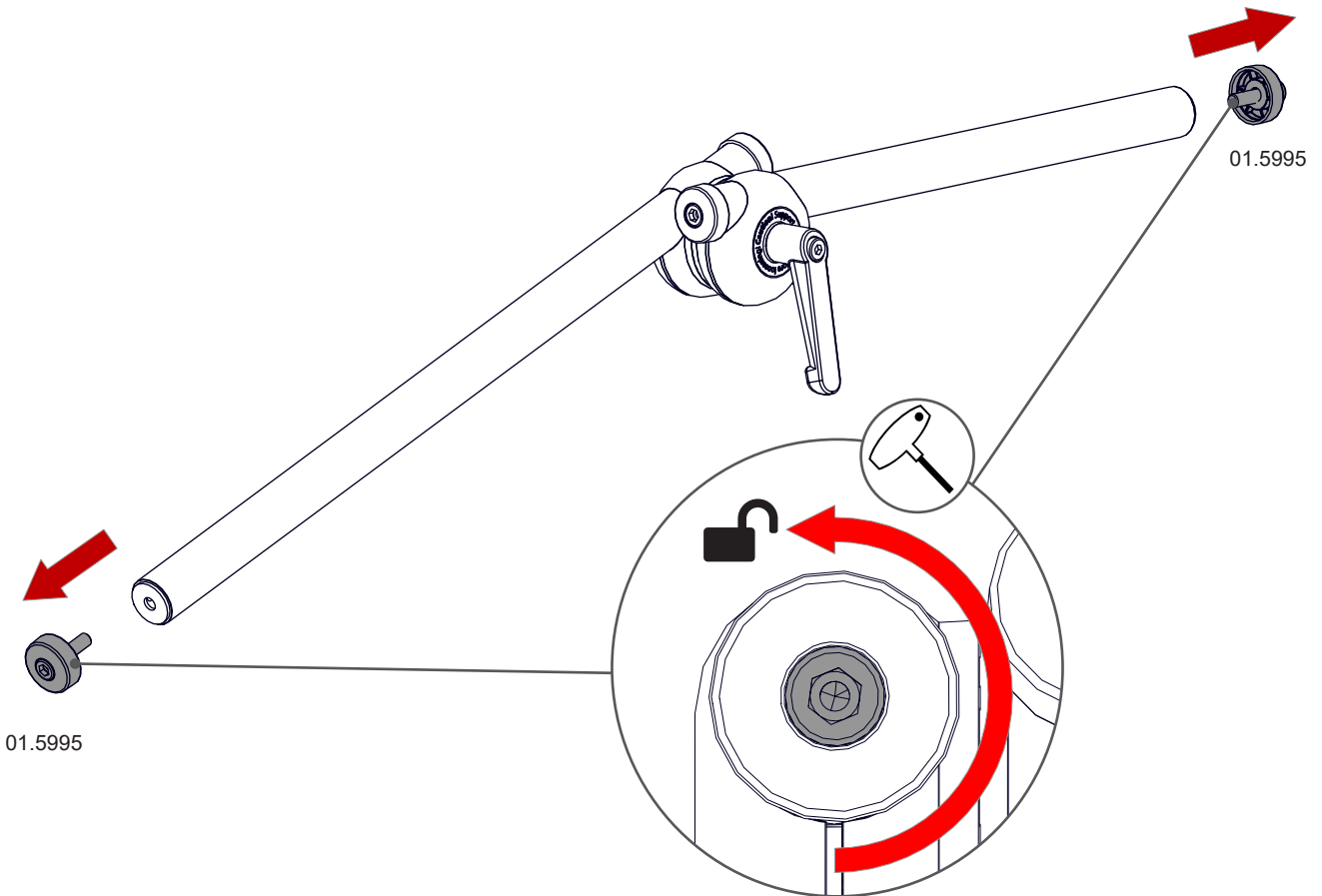




3

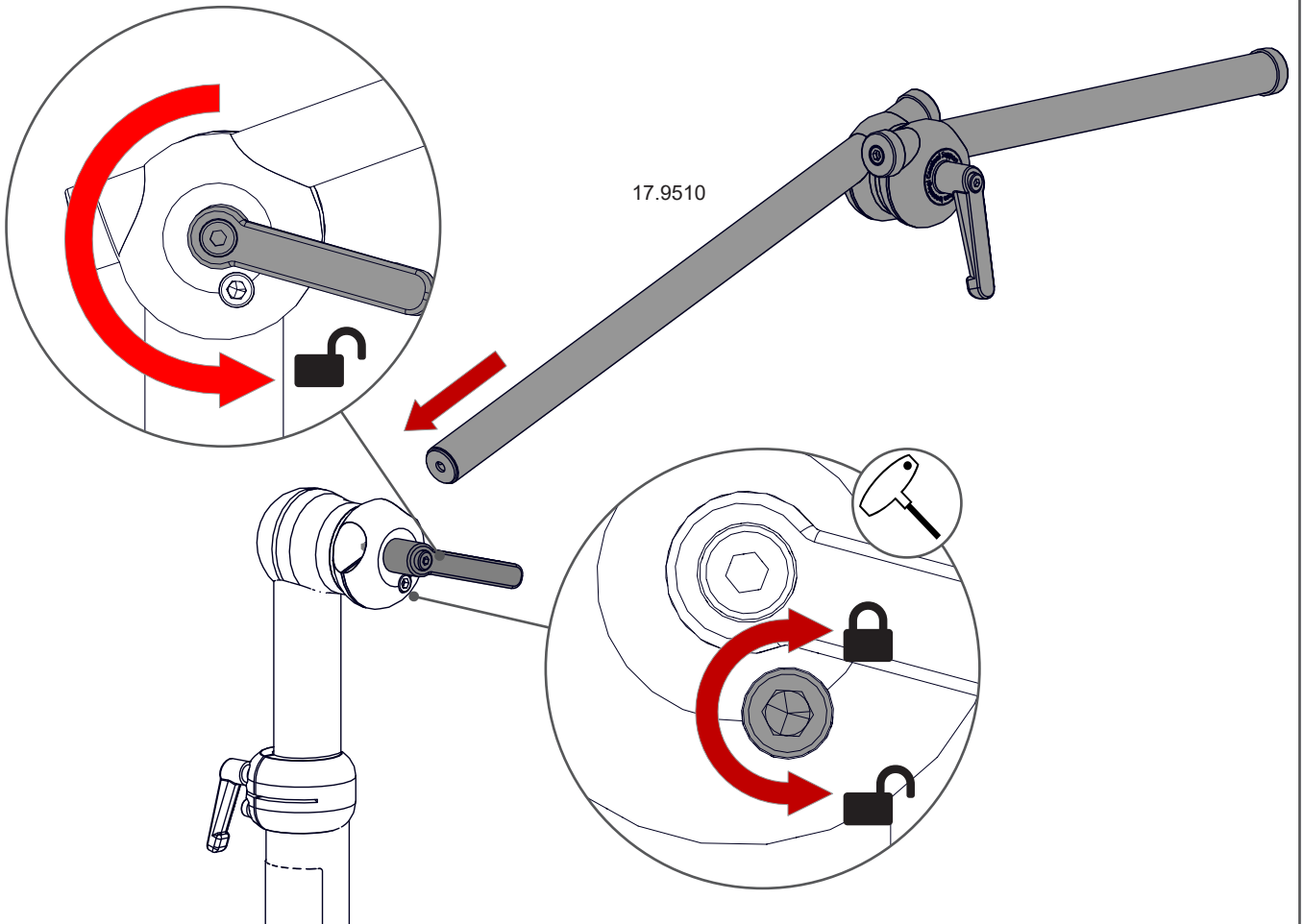


4

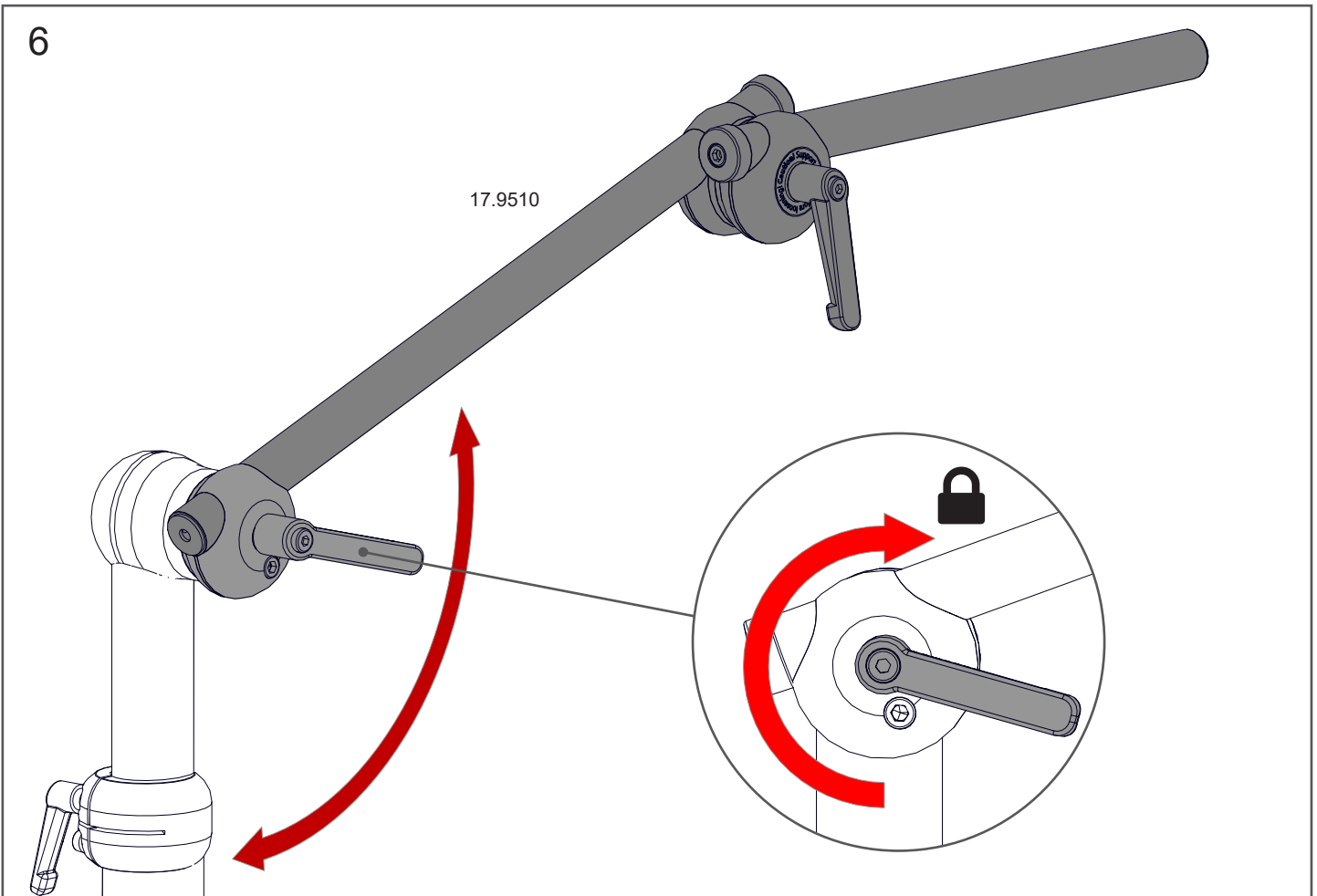




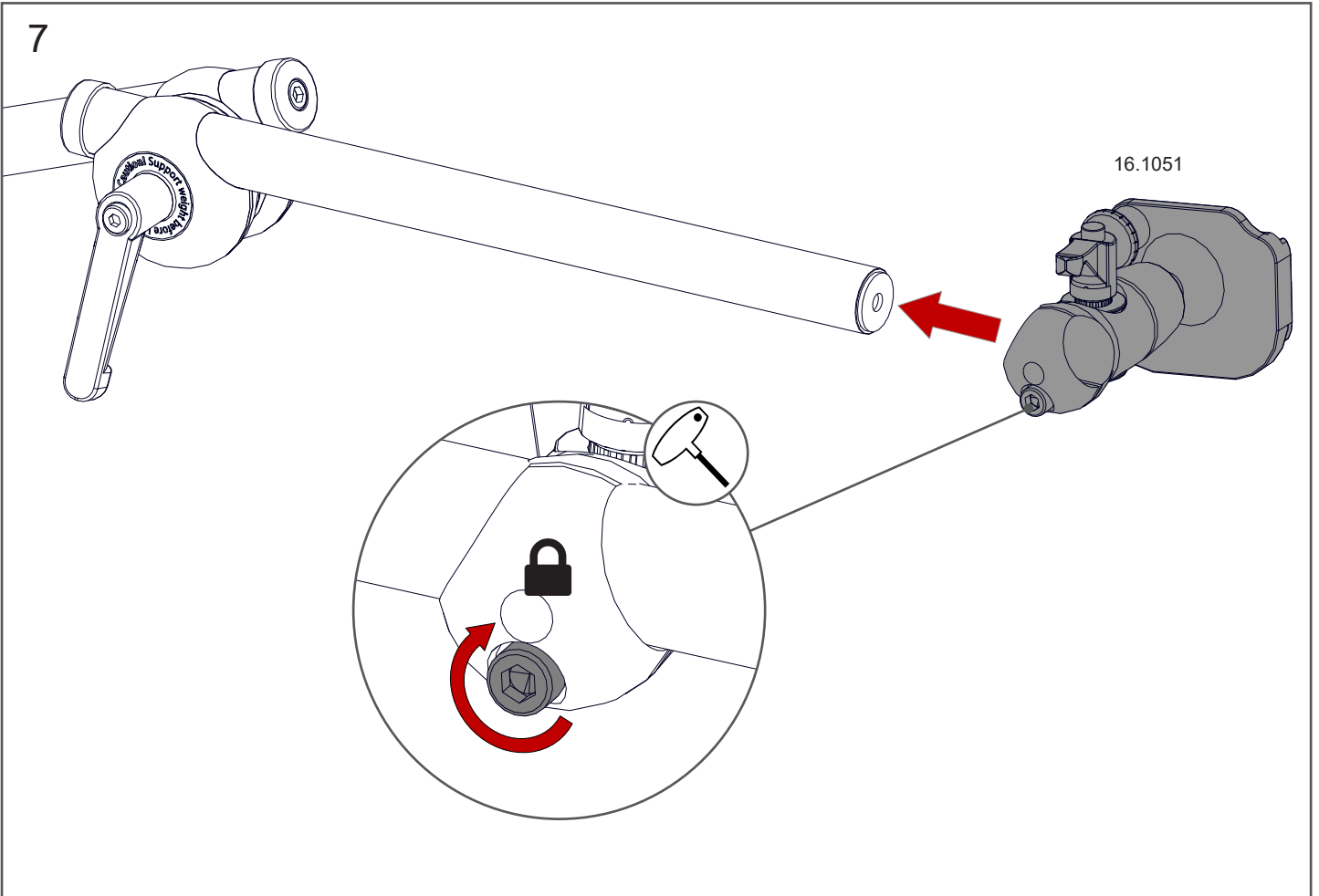
5



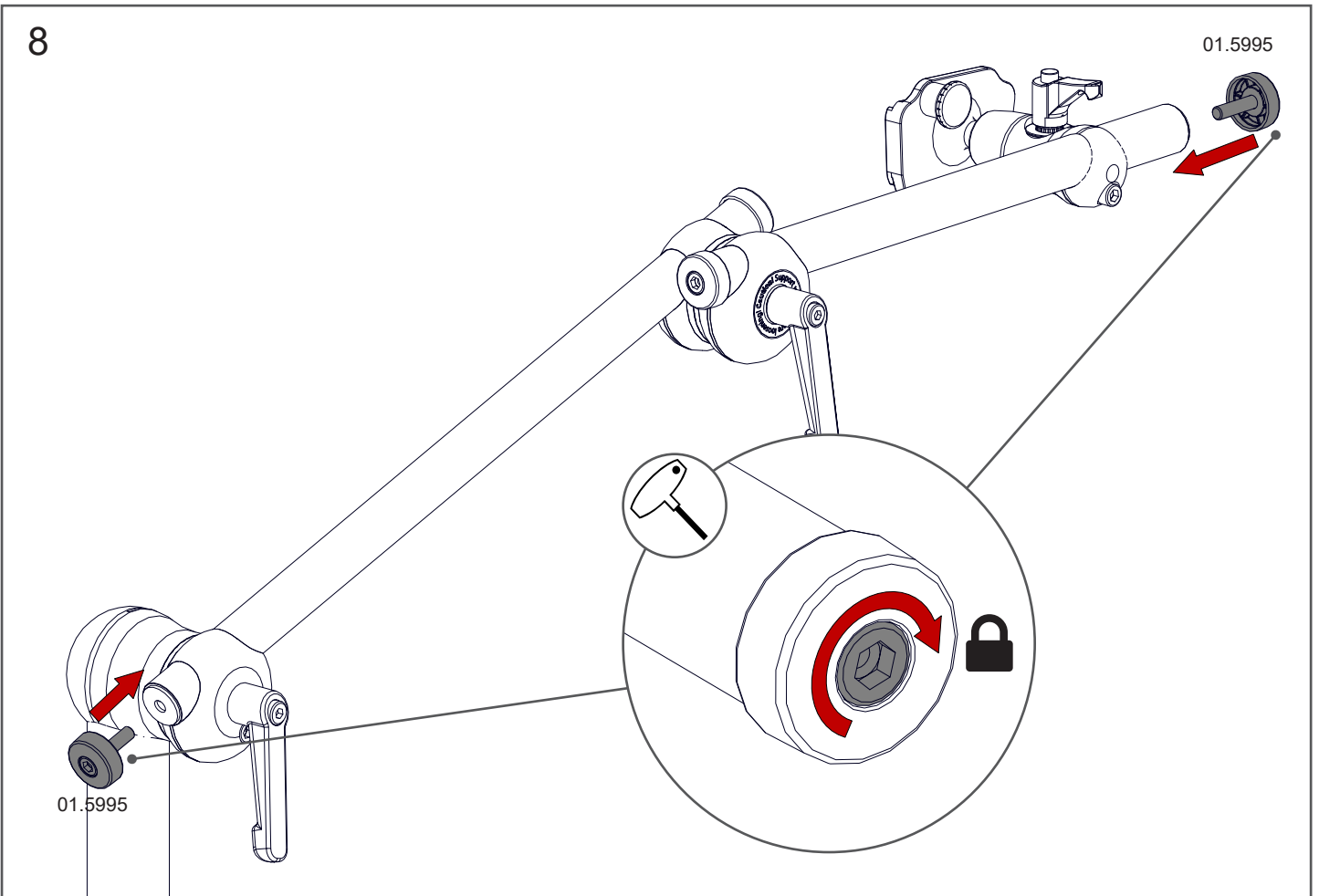
6

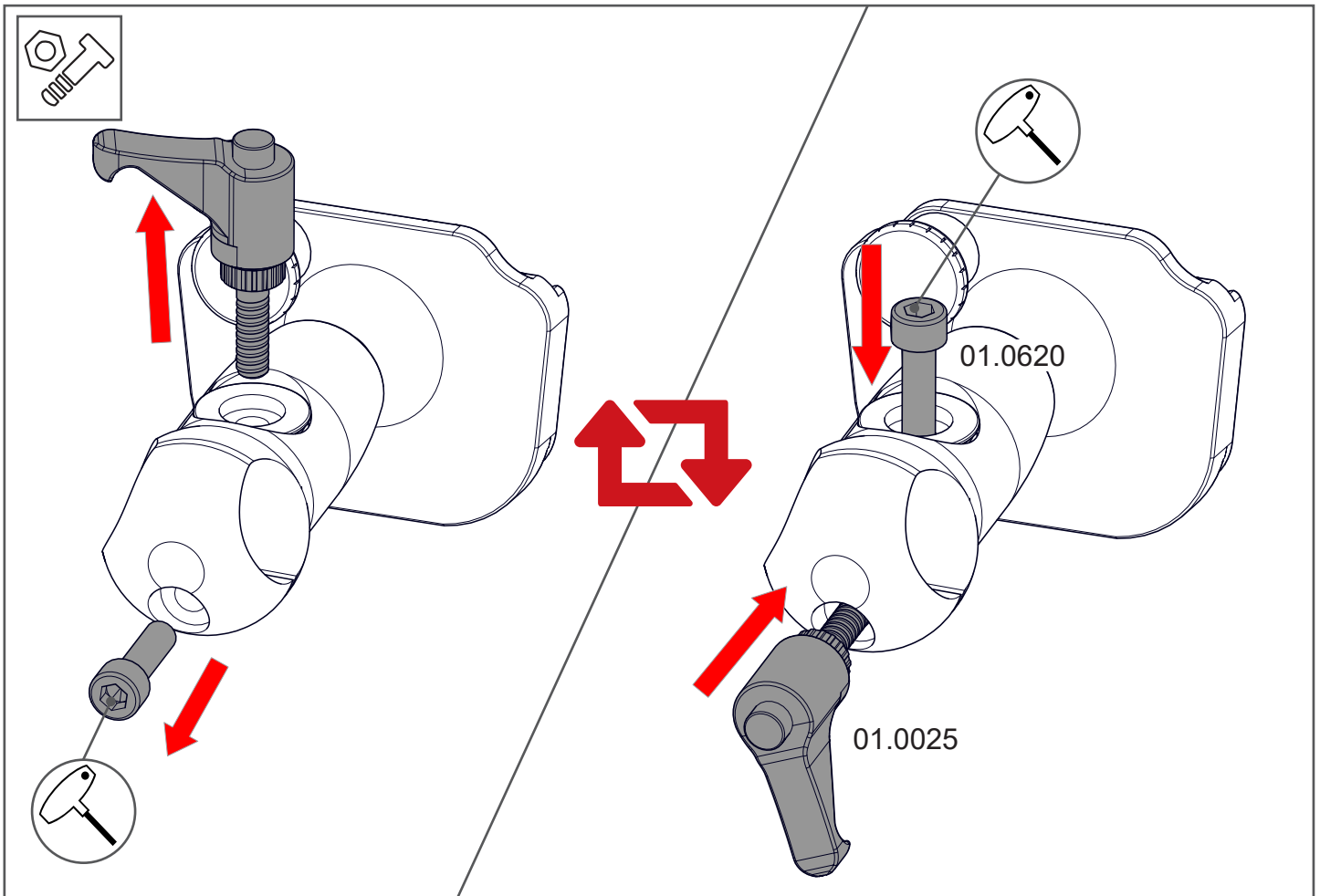
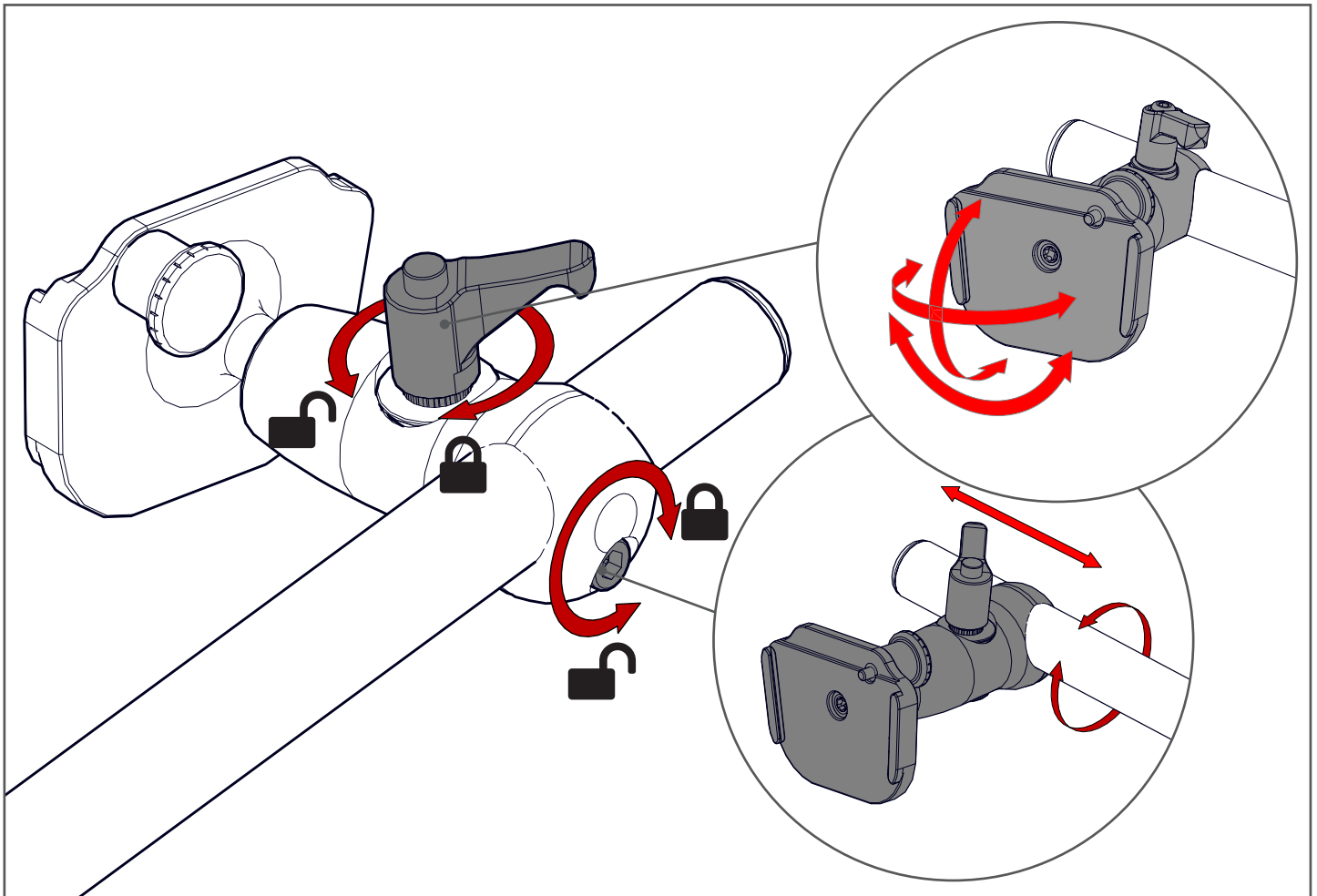


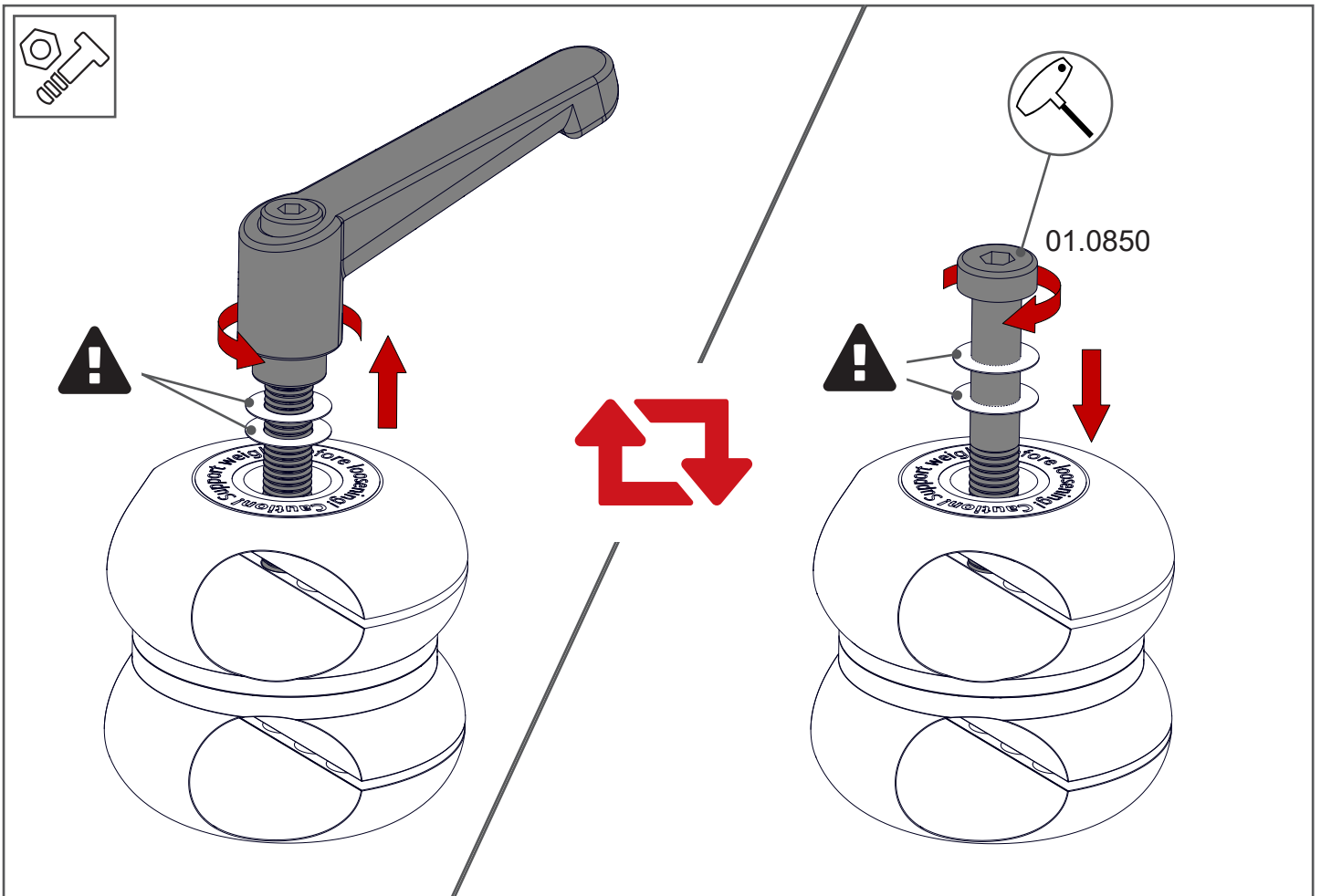
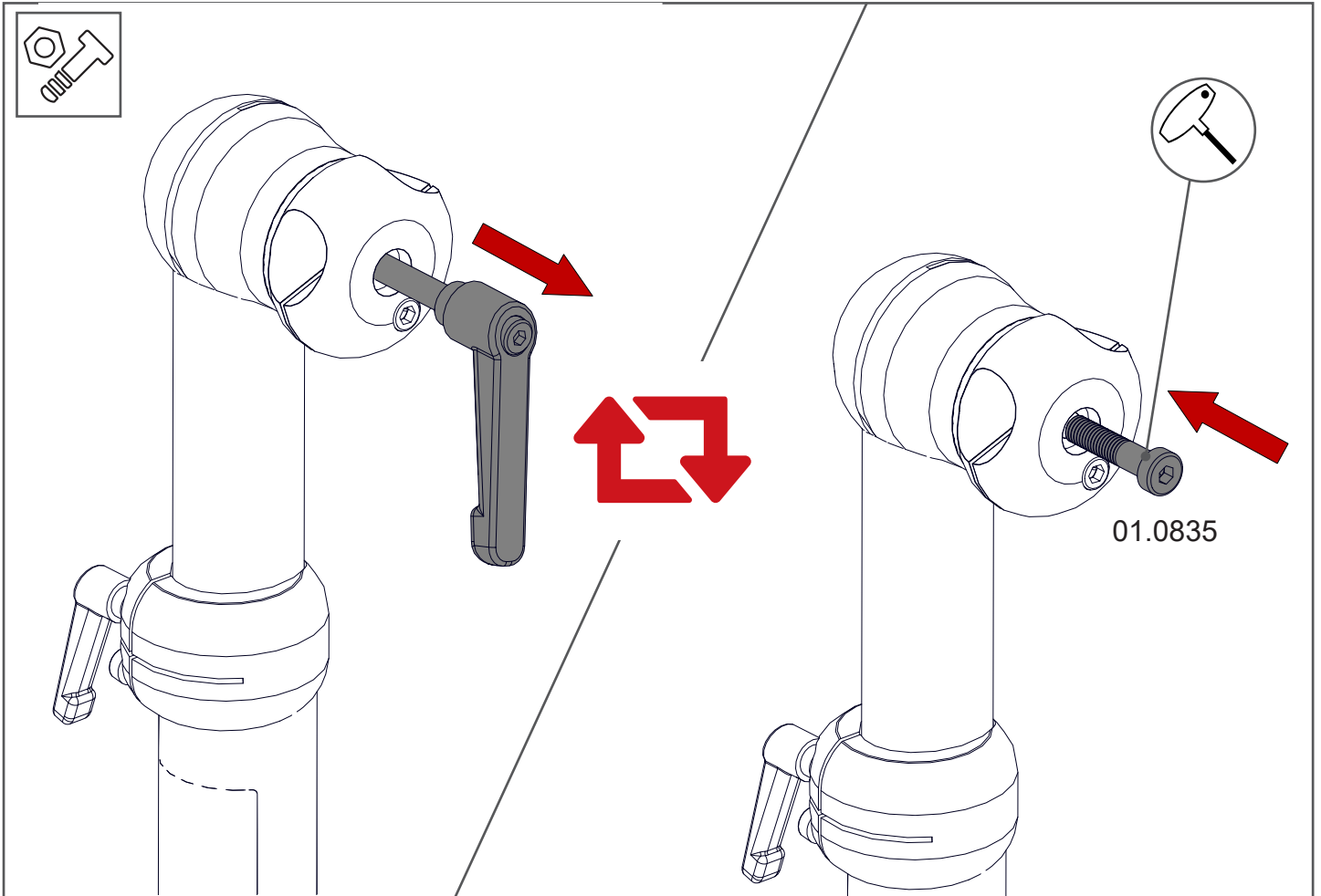
7

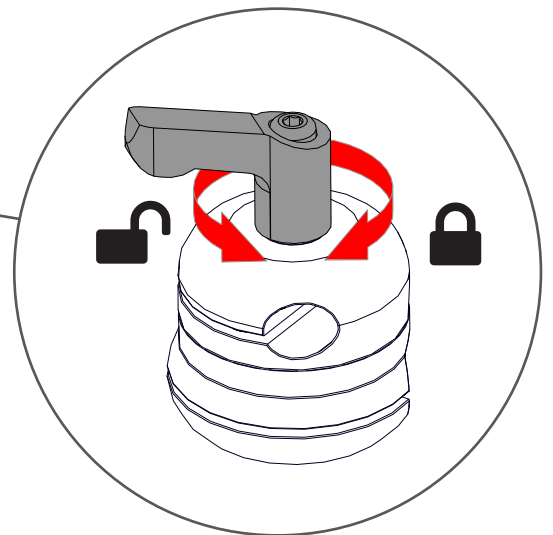
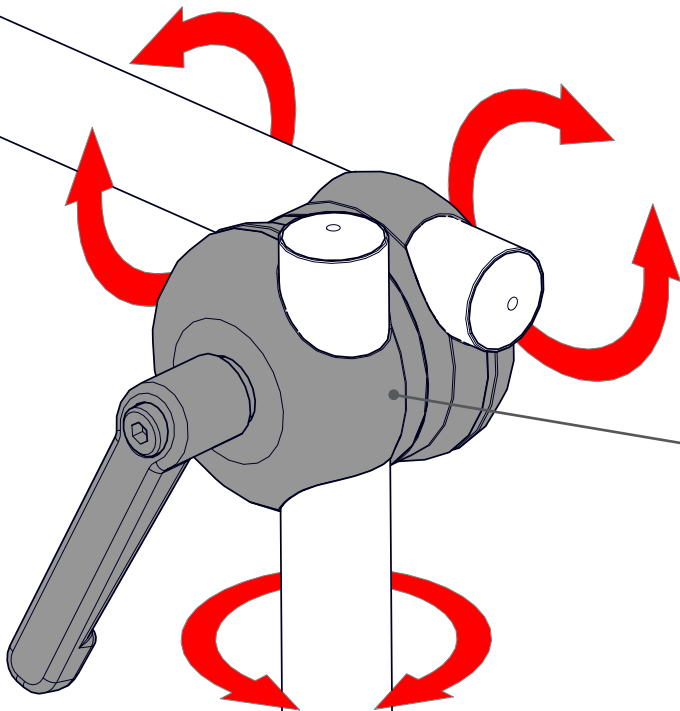
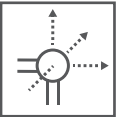
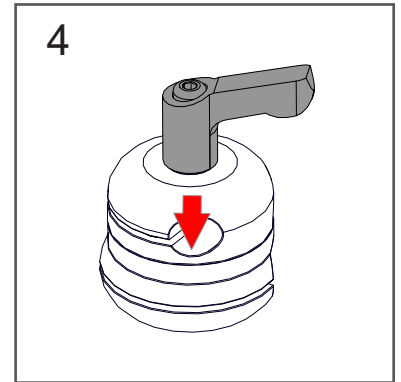
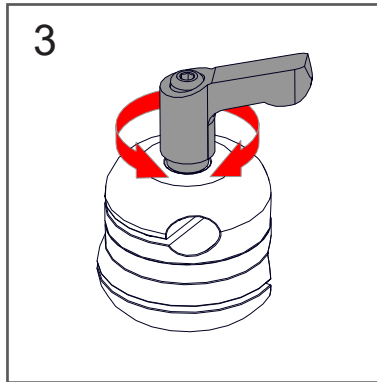
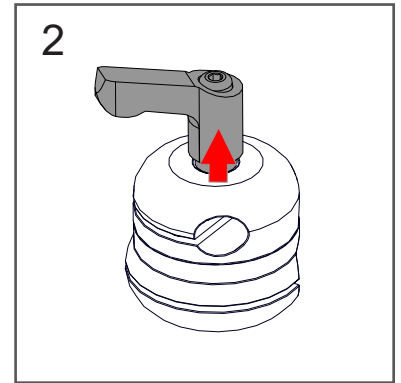
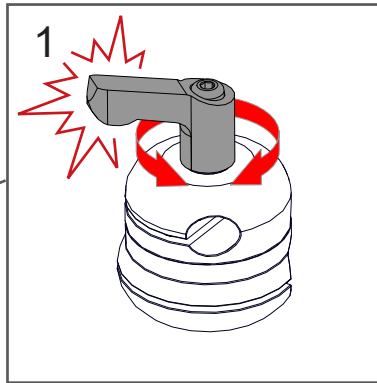
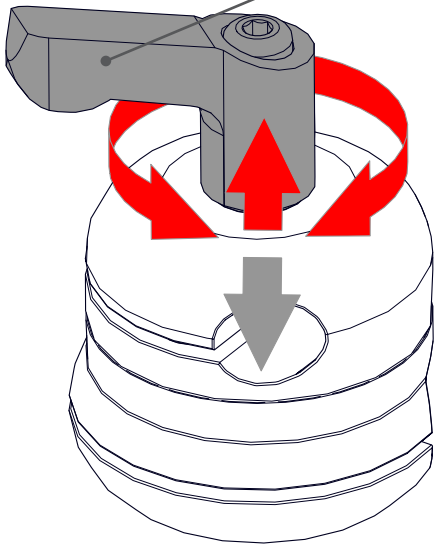
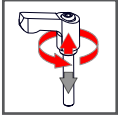


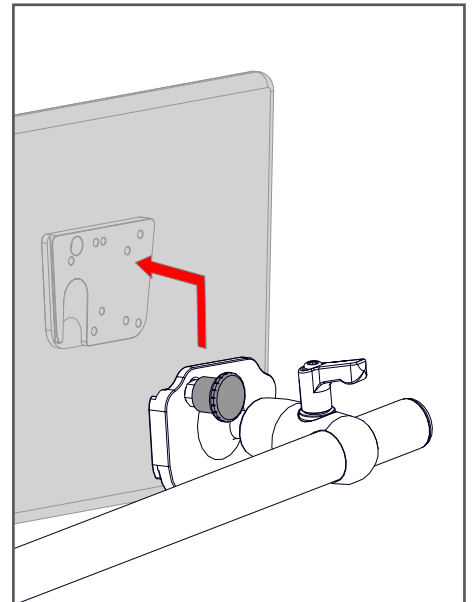
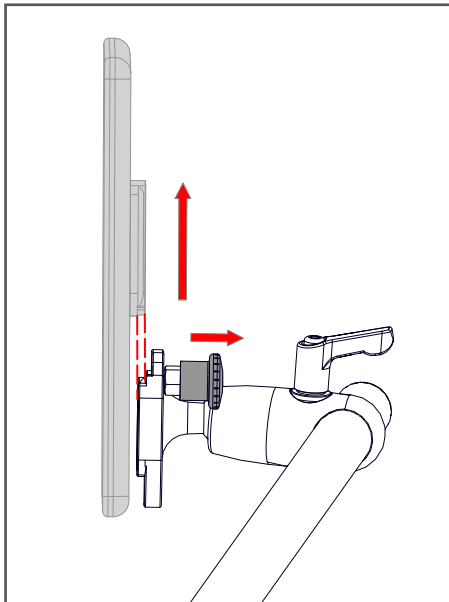
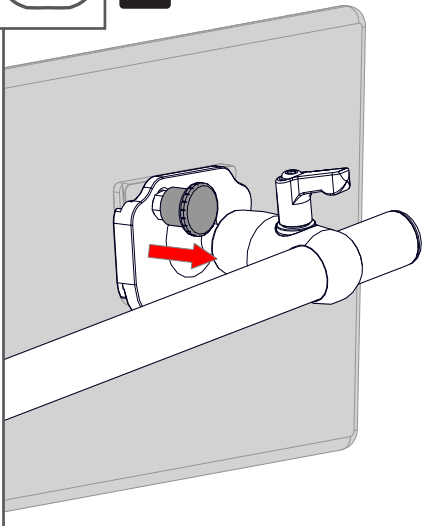
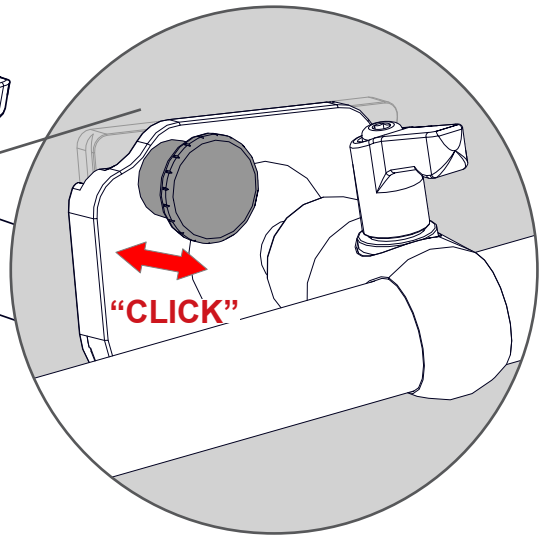
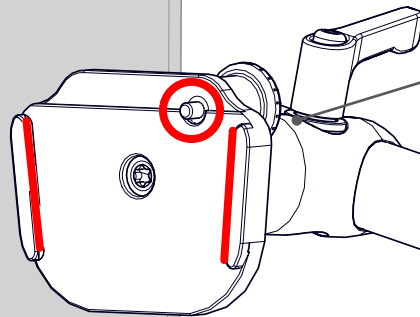
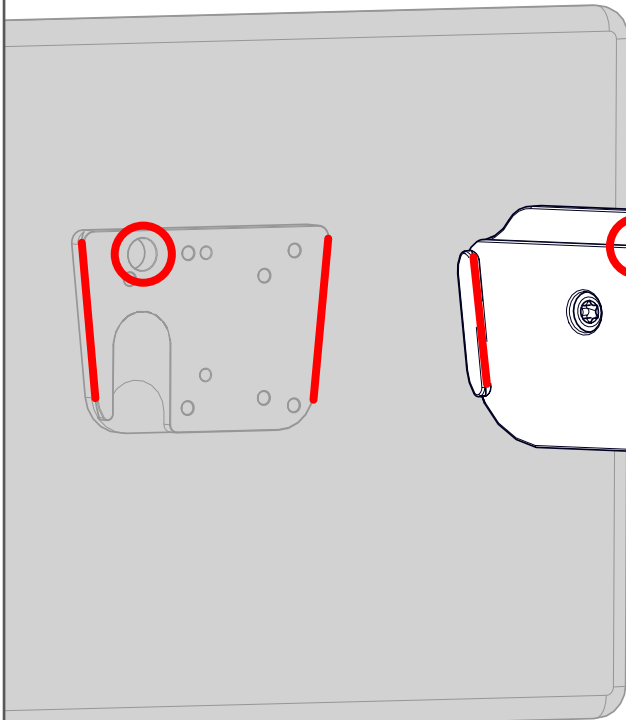
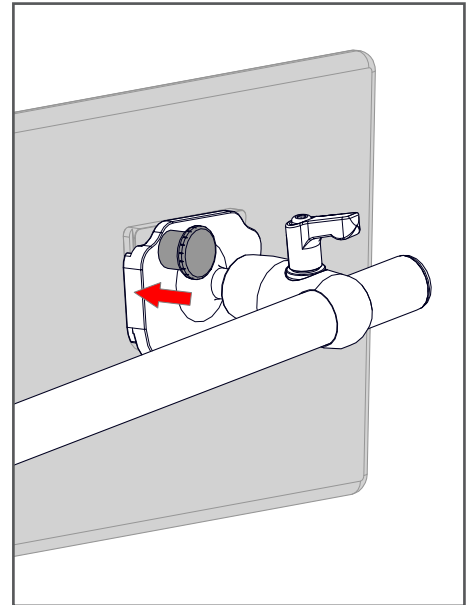
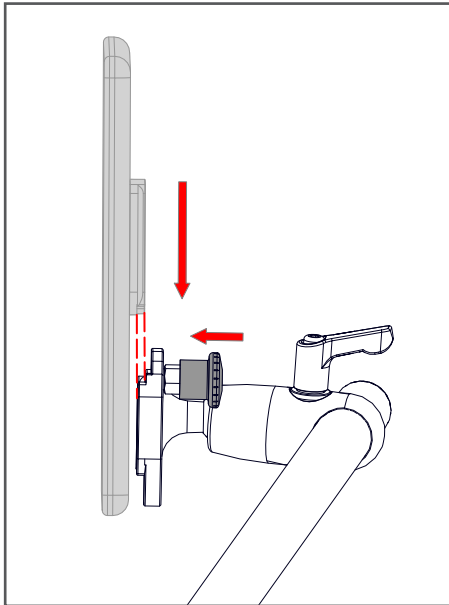
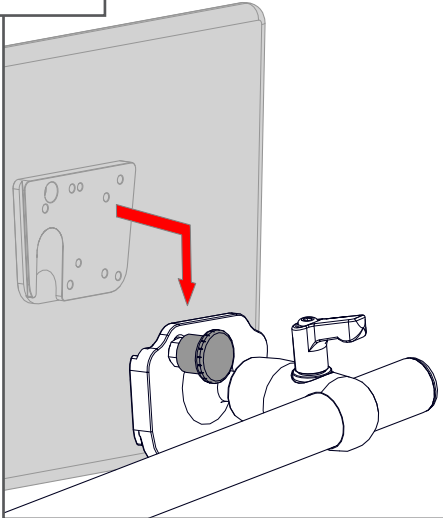
8

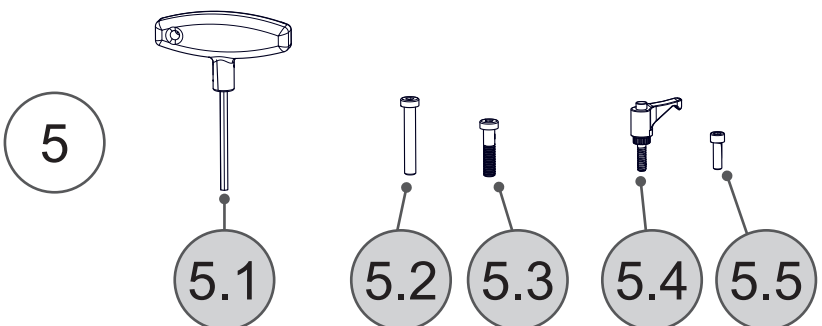
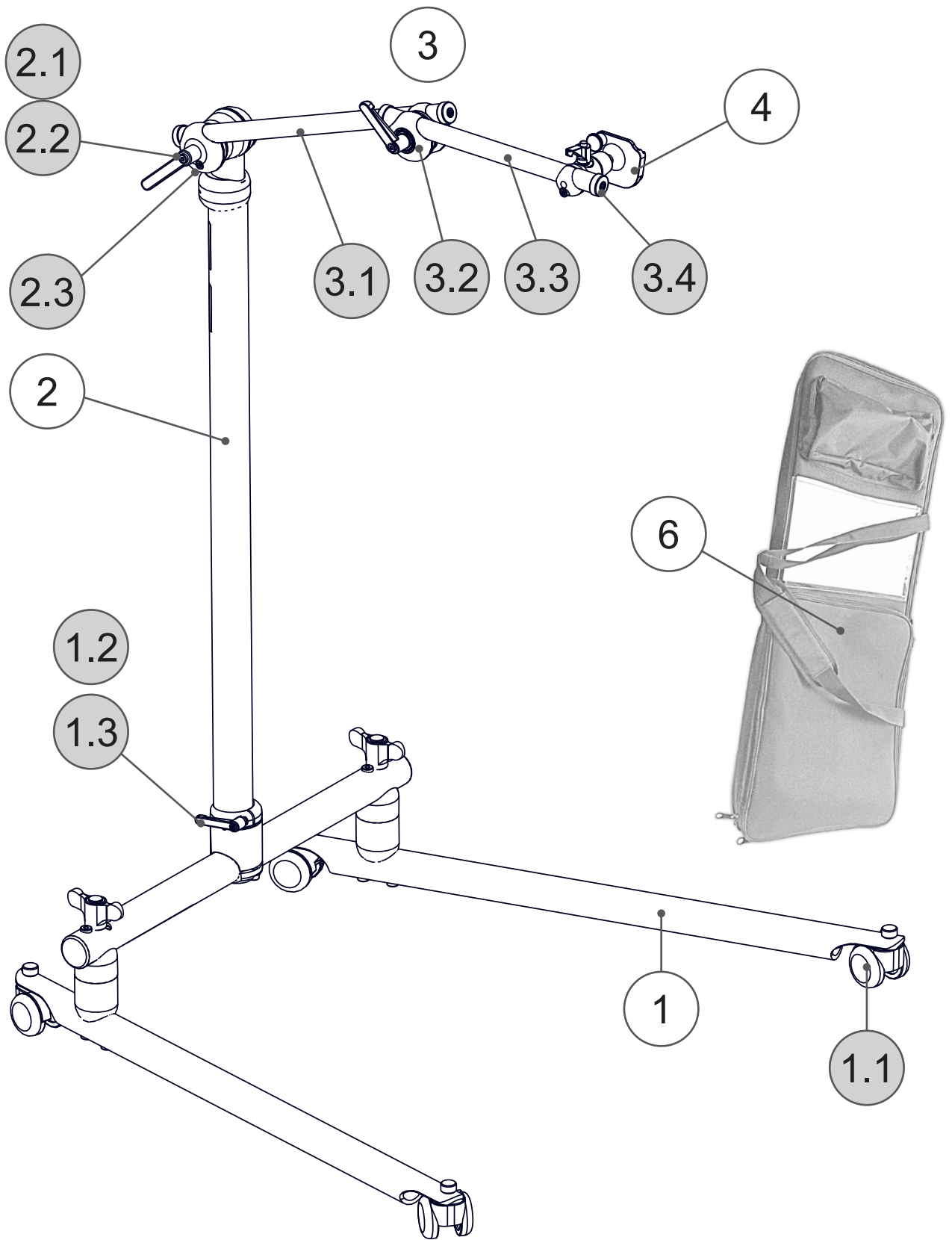






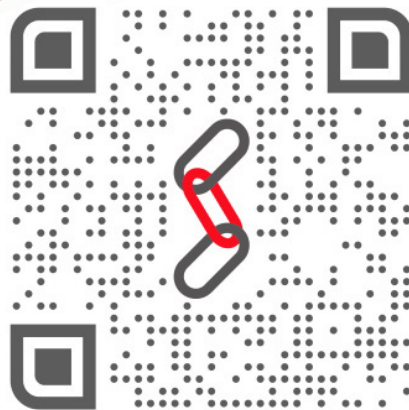






Pos.	No.	Bezeichnung	Description
1	17.9522	FS Fahrgestell Eco 60 QP	FS Chassis Eco 60 QP
1.1	17.9540	FS Classic Doppelrolle	FS Classic Swivel Caster
1.2	01.0021	Klemmhebel M6x20	Clamping lever M6x20
1.3	01.0393	Scheibe Ø6,4 mm	Washer Ø6.4 mm
2	17.9525QP	FS Säule TeleLock QP	FS Column TeleLock QP
2.1	01.0026	Klemmhebel M8x35	Clamping lever M8x35
2.2	01.0310	Passscheibe	Adjusting washer
2.3	01.0620	Zylinderschraube M6x20	Cylinder head bolt M6x20
3	17.9510	FS Arm	FS Arm
3.1	01.5520	Rohr Ø22x400 SOS	Tube Ø22x400 SOS
3.2	11.1350	M3D Uni QuickShift	M3D Uni QuickShift
3.3	01.5510	Rohr Ø22x300 SOS	Tube Ø22x300 SOS
3.4	01.5995	Abrutschsicherung	Slip-out safeguard
4	16.1051	UGA 22-DC	UDS 22-DC
5		Montagekit	Mounting kit
5.1	01.0027	T-Griff	T-Handle
5.2	01.0850	Zylinderschraube M8x50	Cylinder head bolt M8x50
5.3	01.0835	Zylinderschraube M8x35	Cylinder head bolt M8x35
5.4	01.0025	Klemmhebel M6x20	Clamping lever M6x20
5.5	01.0620	Zylinderschraube M6x20	Cylinder head bolt M6x20
6	02.0003	Transporttasche für FS QuickPack	Transport bag for FS QuickPack





Rehadapt Engineering
GmbH & Co. KG

📄 Heinrich-Hertz-Str. 104
34123 Kassel, Germany

☎ Tel.: +49 561 220 717 0
📠 Fax: +49 561 220 717 99

✉ officeteam@rehadapt.com
🌐 <https://rehadapt.com>



Rehadapt
North America

📄 40 Oser Ave, Suite 40-01
Hauppauge, NY 11788, USA

☎ Tel.: 1 (888) 635-6962
📠 Fax: 1 (888) 635-6962

✉ officeteam.na@rehadapt.com
🌐 <https://rehadapt.com>