



Table Stand

• 12.1602

TS-XL

MOUNTING
MADE EASY



2023-07-14

00 5010-F



Sicherheitshinweise
Safety Instructions

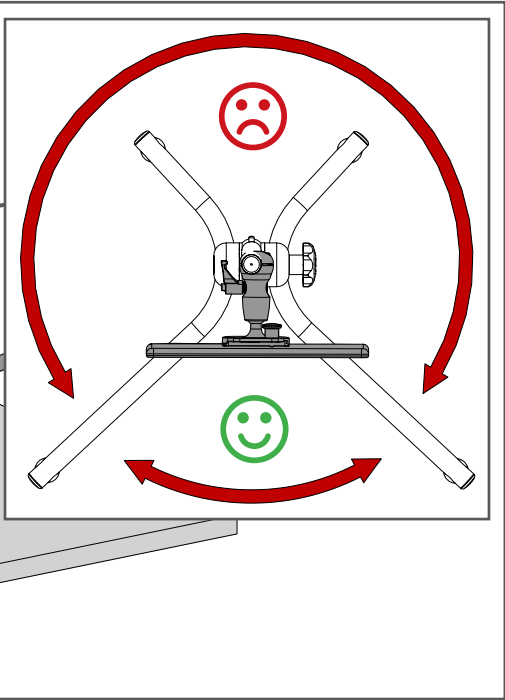
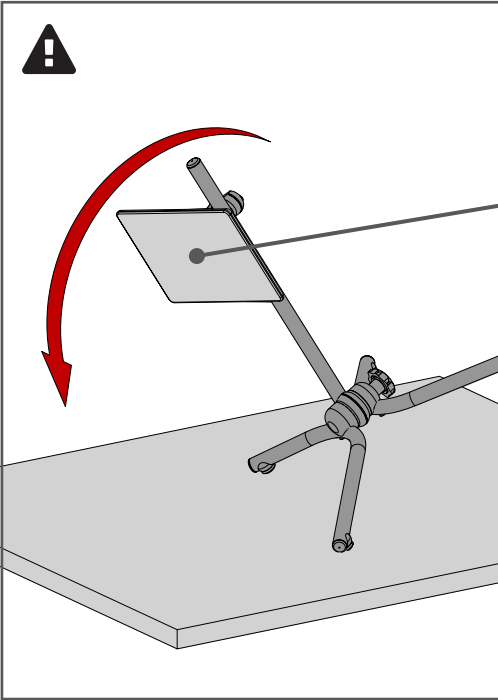
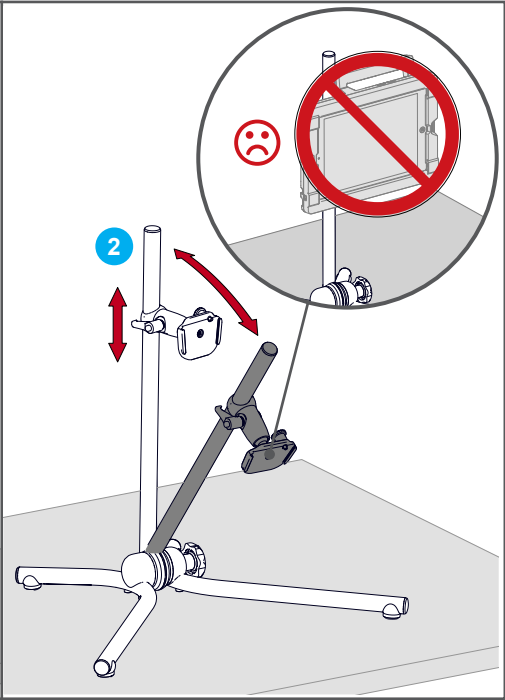
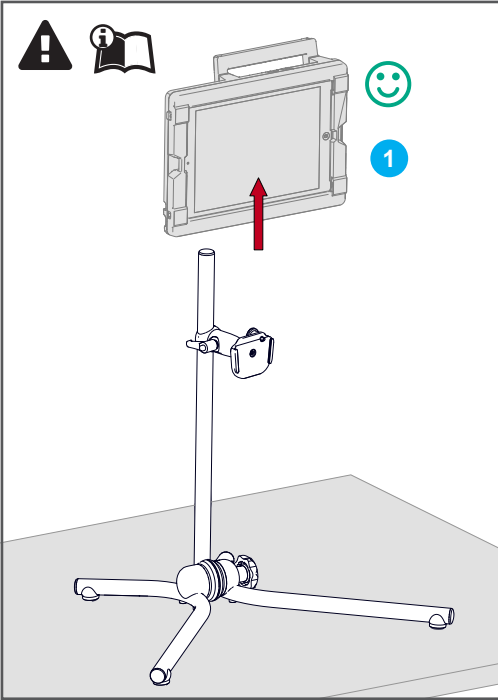


Montage
Assembly Instructions

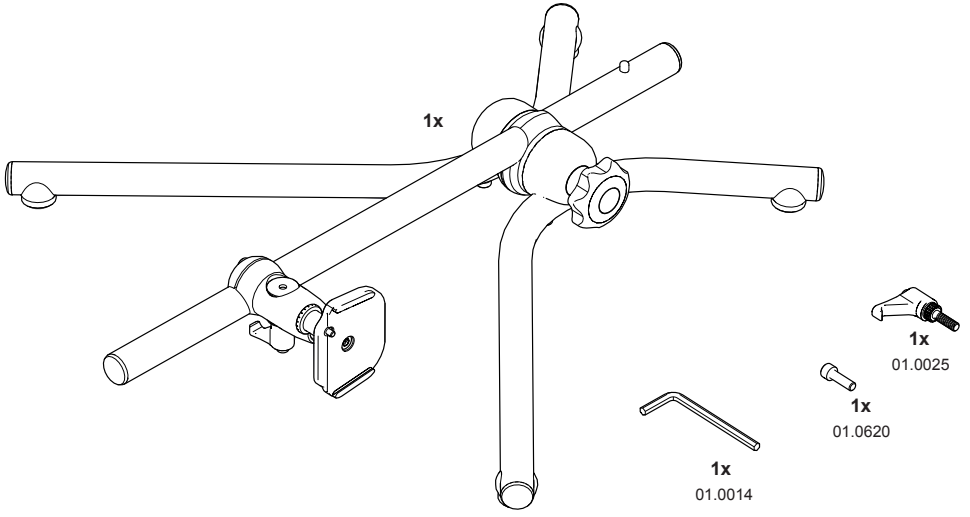
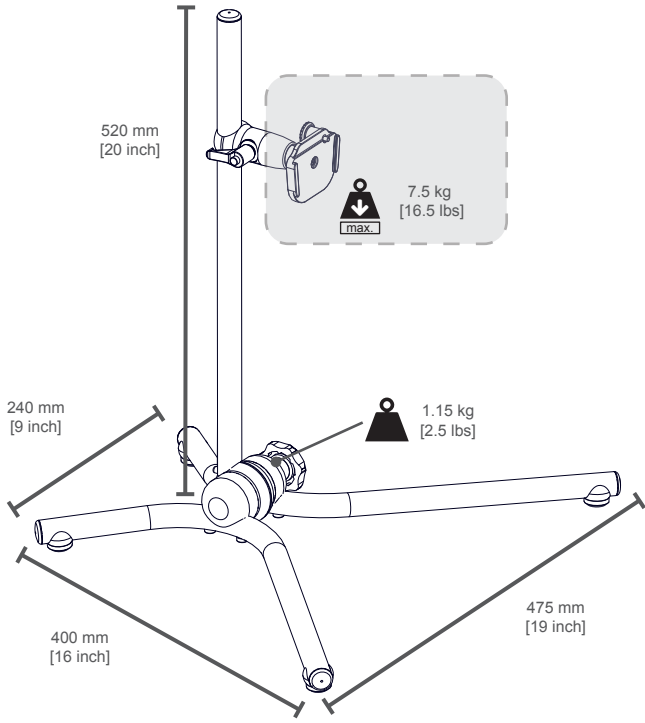


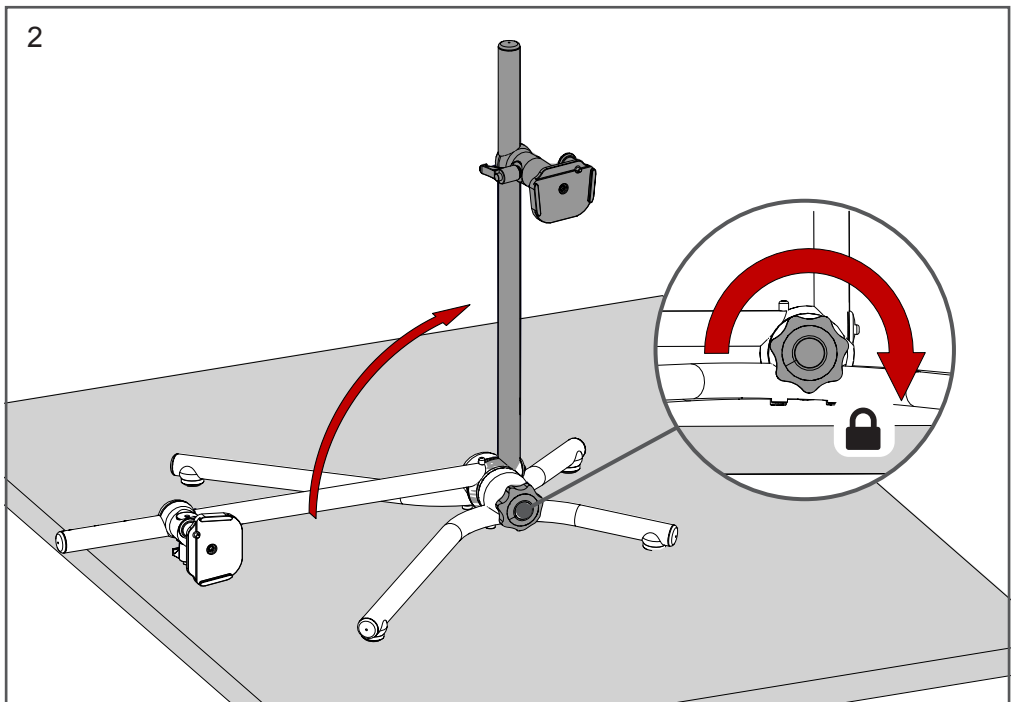
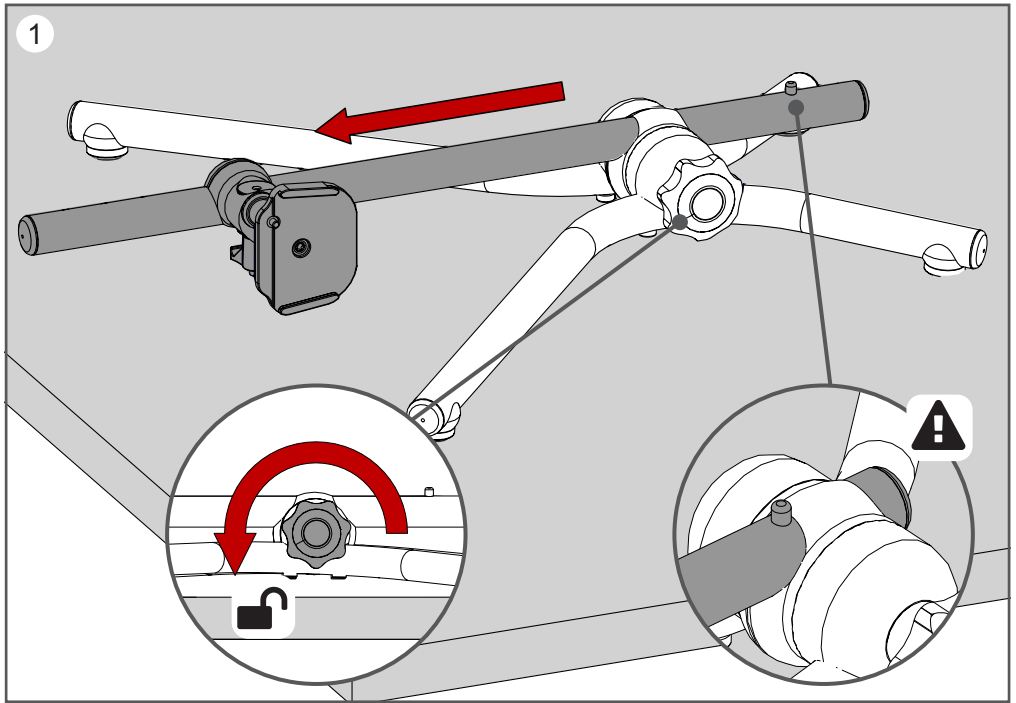
Handhabung
Handling

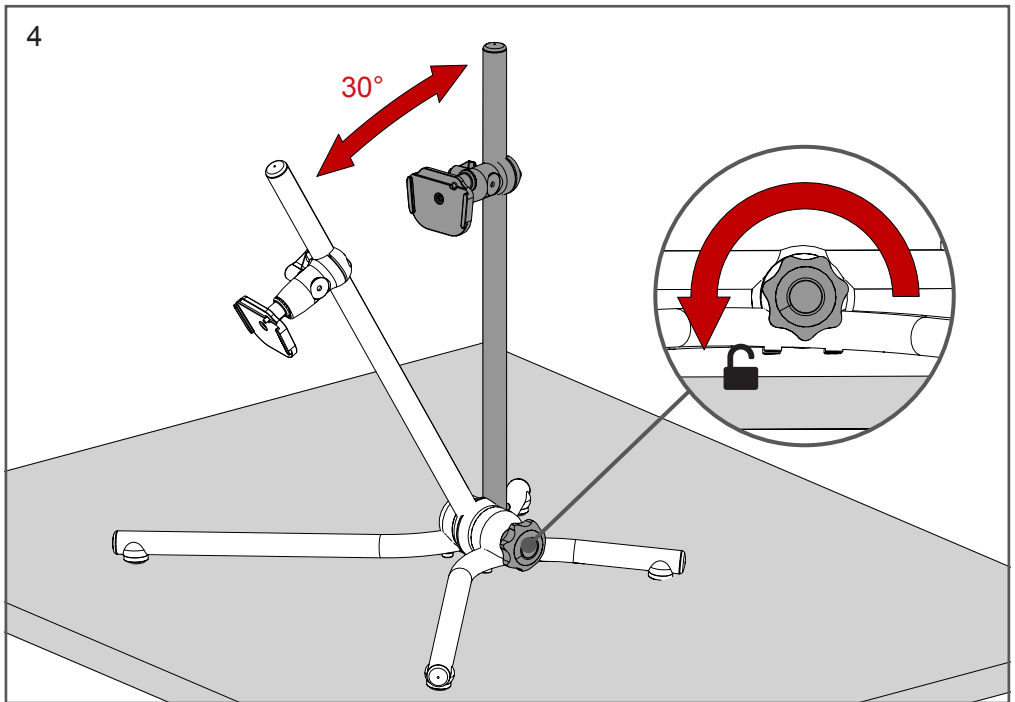
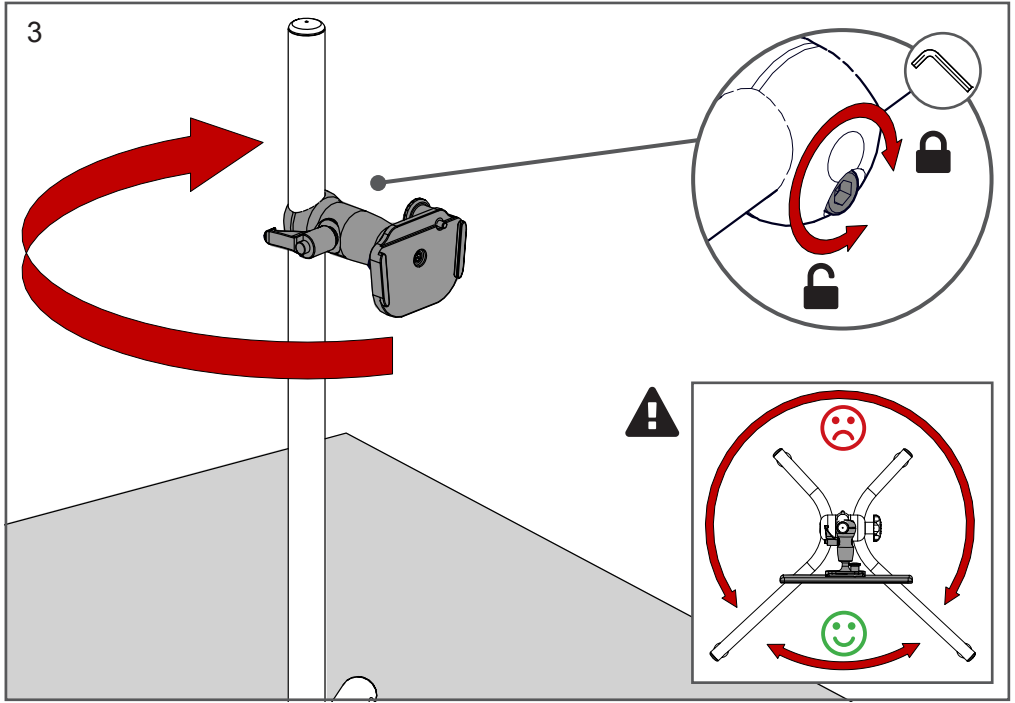


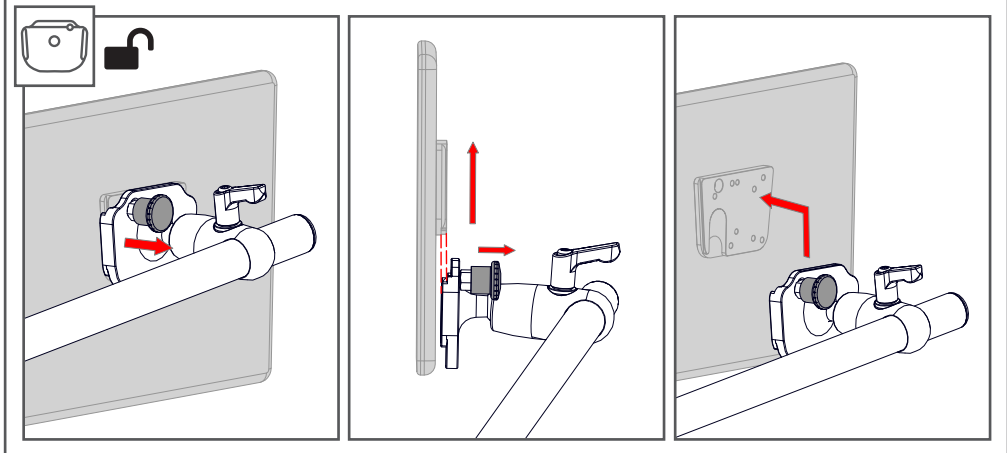
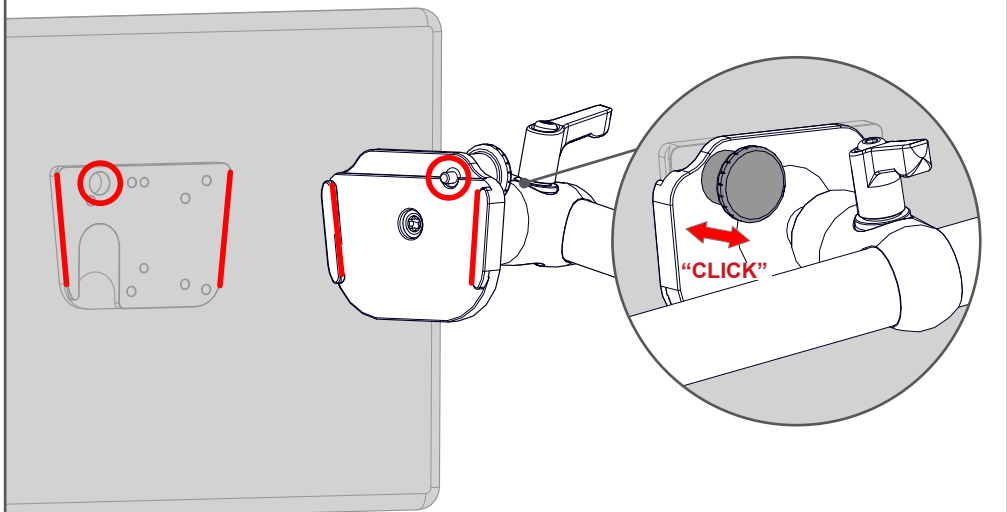
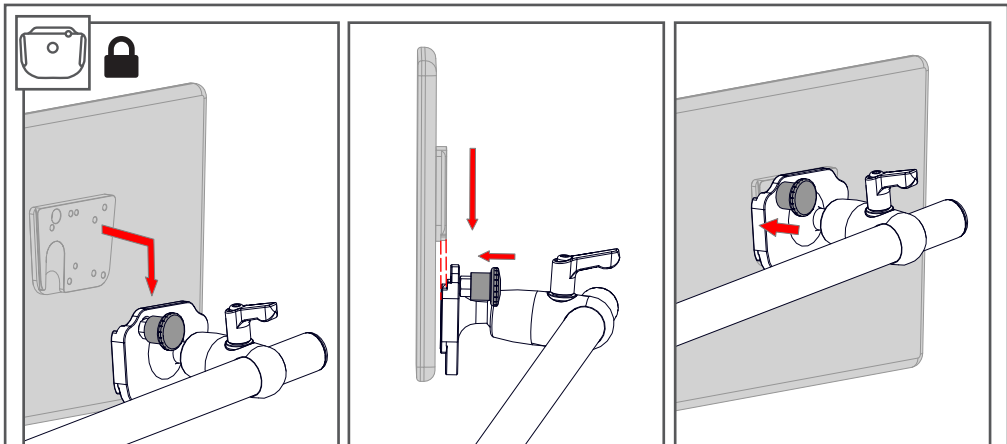


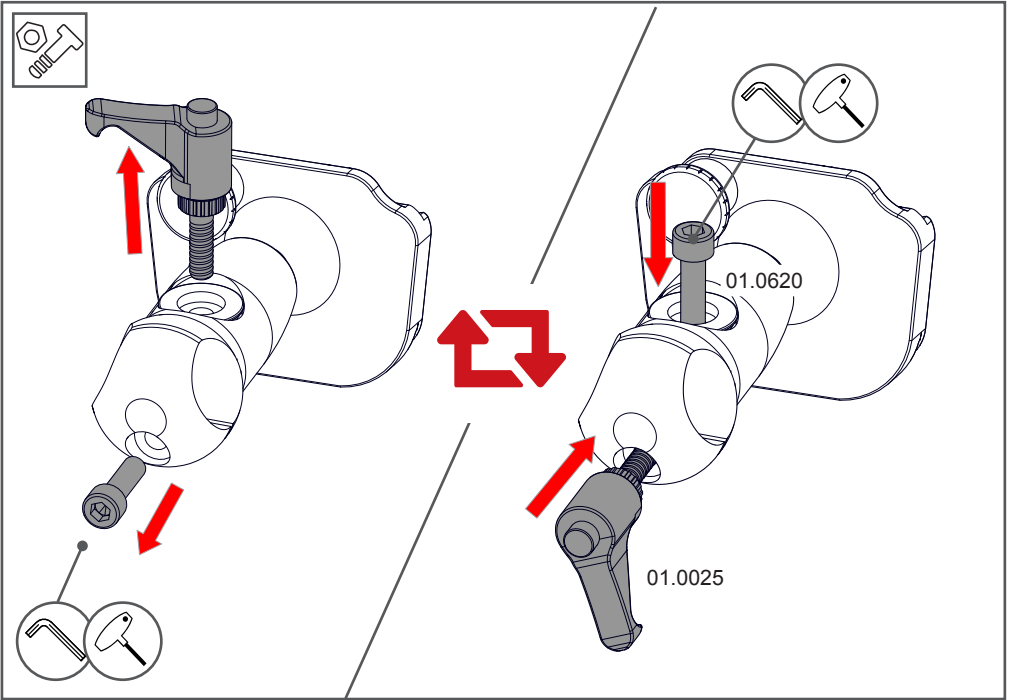
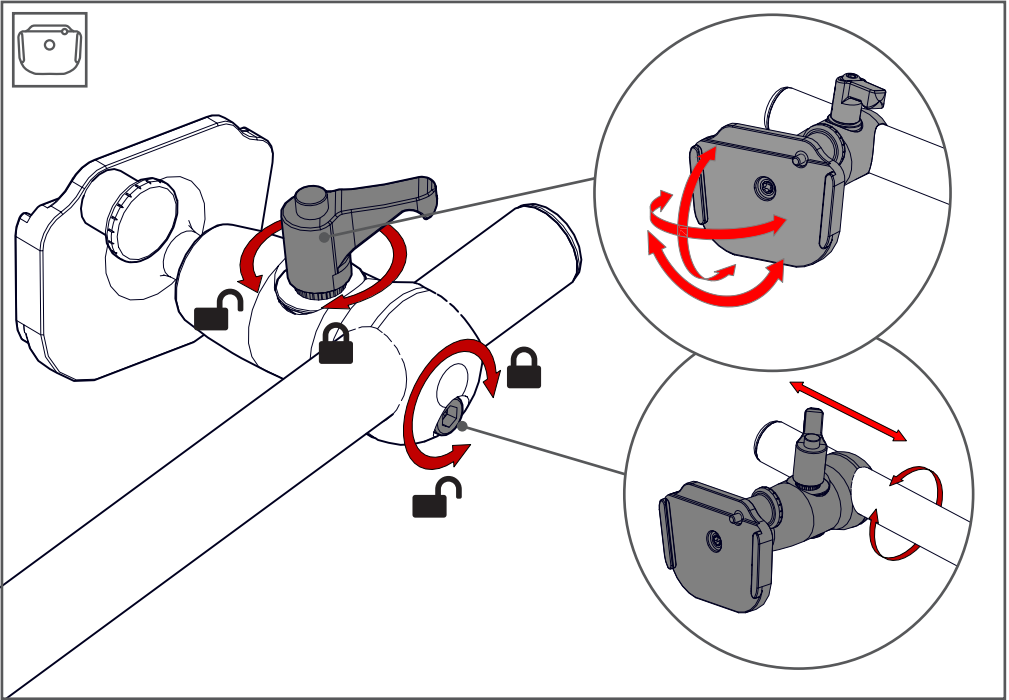




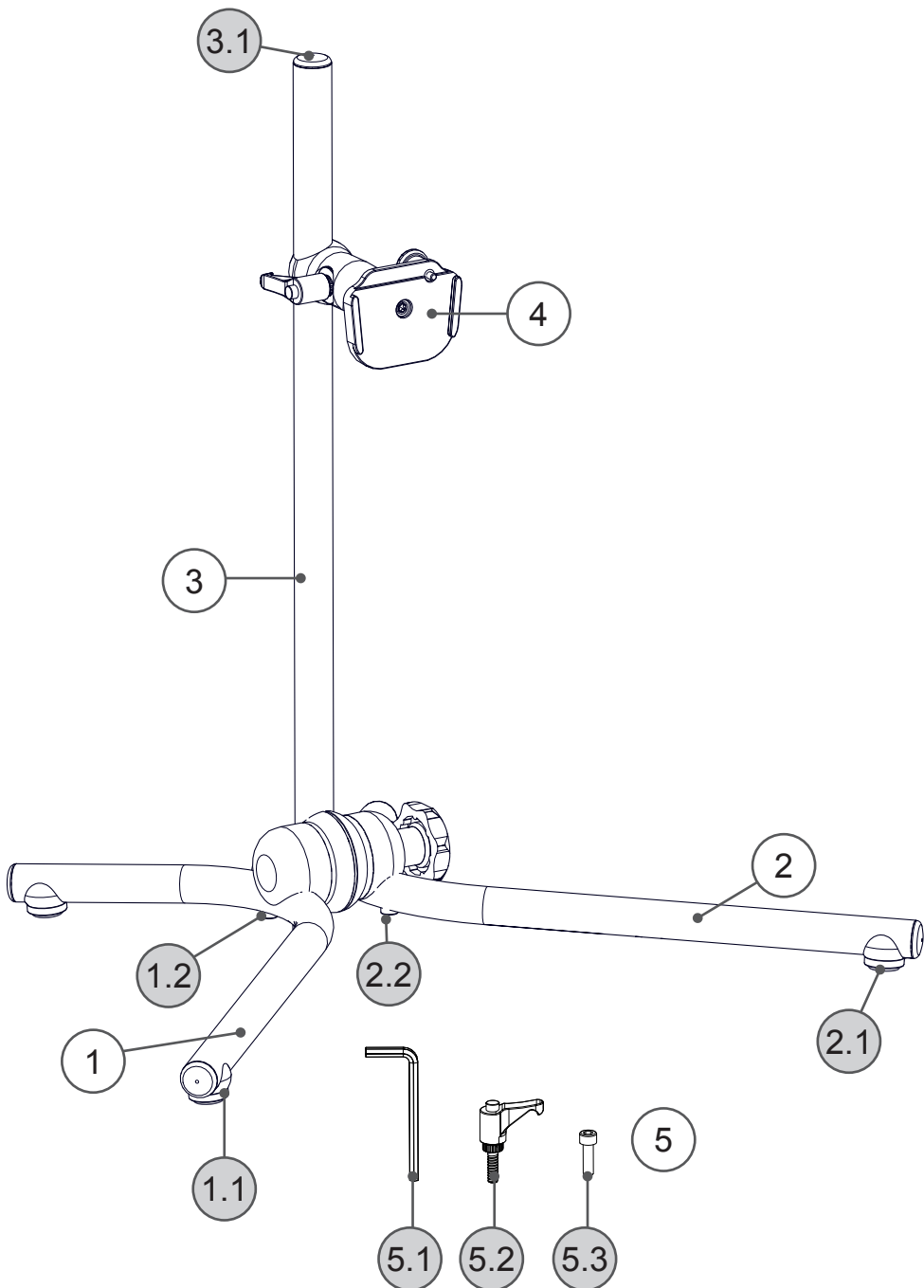






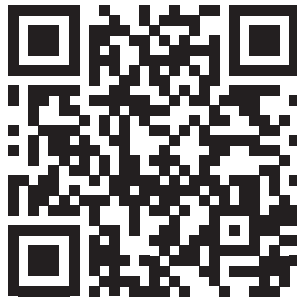






Pos.	No.	Bezeichnung	Description
1	12.5404	L-Rohr-Ø22x200x350-rechts	L-Tube Ø22x200x350 right
1.1	01.0106	Fuss für TS-XL	Foot for TS-XL
1.2	01.0634	Zylinderschraube M6x35	Cylinder head bolt M6x35
2	12.5405	L-Rohr-Ø22x200x350-links	L-Tube Ø22x200x350 left
2.1	01.0106	Fuss für TS-XL	Foot for TS-XL
2.2	01.0634	Zylinderschraube M6x35	Cylinder head bolt M6x35
3	12.5406	Rohr Ø22x500 B	Tube Ø22x500 B
3.1	01.5999	Rohrstopfen Ø22mm schwarz	Cap for Ø22mm tube black
4	16.1051	UGA 22-DC	UDS 22-DC
5		Montagekit	Mounting kit
5.1	01.0014	Innensechskantschlüssel 5mm	Allen wrench 5mm
5.2	01.0025	Klemmhebel M6x20	Clamping lever M6x20
5.3	01.0620	Zylinderschraube M6x20	Cylinder head bolt M6x20

We ♥ your
feedback



Rehadapt Engineering
GmbH & Co. KG

📖 Heinrich-Hertz-Str. 104
34123 Kassel, Germany

☎ Tel.: +49 561 220 717 0
📠 Fax: +49 561 220 717 99

✉ officeteam@rehadapt.com
🌐 <https://rehadapt.com>



Rehadapt
North America

📖 40 Oser Ave, Suite 40-01
Hauppauge, NY 11788

☎ Tel.: 1 (888) 635-6962
📠 Fax: 1 (888) 635-6962

✉ officeteam.na@rehadapt.com
🌐 <https://rehadapt.com>